

Hydraulic Welding Positioner and Specialty Application Lifts

AFFORDABLE • EASY INSTALLATION • NO PIPING* • 360° ROTATION

- **WELDING POSITIONERS**
- **MATERIAL HANDLING**
- **CUSTOM-MADE TO YOUR SPECIFICATIONS**
- **ALL JOBS CONSIDERED**
- **SATISFY OSHA**

SVI International, Inc. is a leading producer of high capacity, low pressure single-acting cylinders for welding and material handling applications in addition to various other industries. Effectively a combination of the world-famous Globe Lift and the former Gilbarco material handling lift division, SVI has an extensive engineering data bank that extends back to 1928. This broad knowledge base and an ever-present can-do attitude has driven SVI into many markets as a mainstay supplier of products to increase shop productivity, safety and compliance with OSHA requirements.

Welding Positioner Lifts, whether standard models or custom-tailored to meet specific application needs from SVI are a perfect solution for those engaged in the production or handling of large fabrications or specialty manufacturing plant needs. Our style of lifts can be found in turbine plants, major printing facilities, drywall production, tank welding, trailer manufacturing, welding shops and just about anywhere else someone wants to make their job more productive, easier to accomplish and comply with OSHA material handling standards.

SVI is a large, privately held corporation that also operates two subsidiary businesses—MLM Lifts and Mfg. (a specialty fabrication shop and hydraulic cylinder company) and Valley Precision Solutions (a customer-specific hydraulic and oil seal and specialty fastener component company). Great pride is taken in the job the SVI companies do, as SVI is an America-First enterprise. SVI and its subsidiary companies support American jobs, American craftsmanship, American engineering and all the American companies SVI can proudly call our customers. Please put an SVI welding positioner or material handling lift to work for you in your manufacturing plant today. Become a fan of SVI and its subsidiary companies by adding to our growing list of wonderful testimonials from satisfied customers. You will be impressed!

Custom-made systems to meet specific needs are our specialty.

**Some custom systems require piping.*

*All SVI Lifts are Made in
DeKalb, Illinois USA*



- BALTIMORE
- CHICAGO
- LOS ANGELES

SVI International, Inc.

800-321-8173 • 815-748-0200

155 Harvestore Drive • DeKalb, IL 60115

www.sviinternational.com

Outperform Competitors and Your Expectations. Satisfy OSHA and Safety Requirements.

1,500 LB. CAPACITY ELEVATING WELDING POSITIONER

Model # SESM-15WP-6500-36

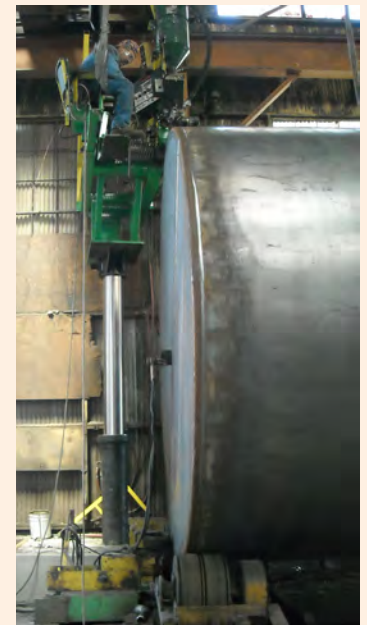
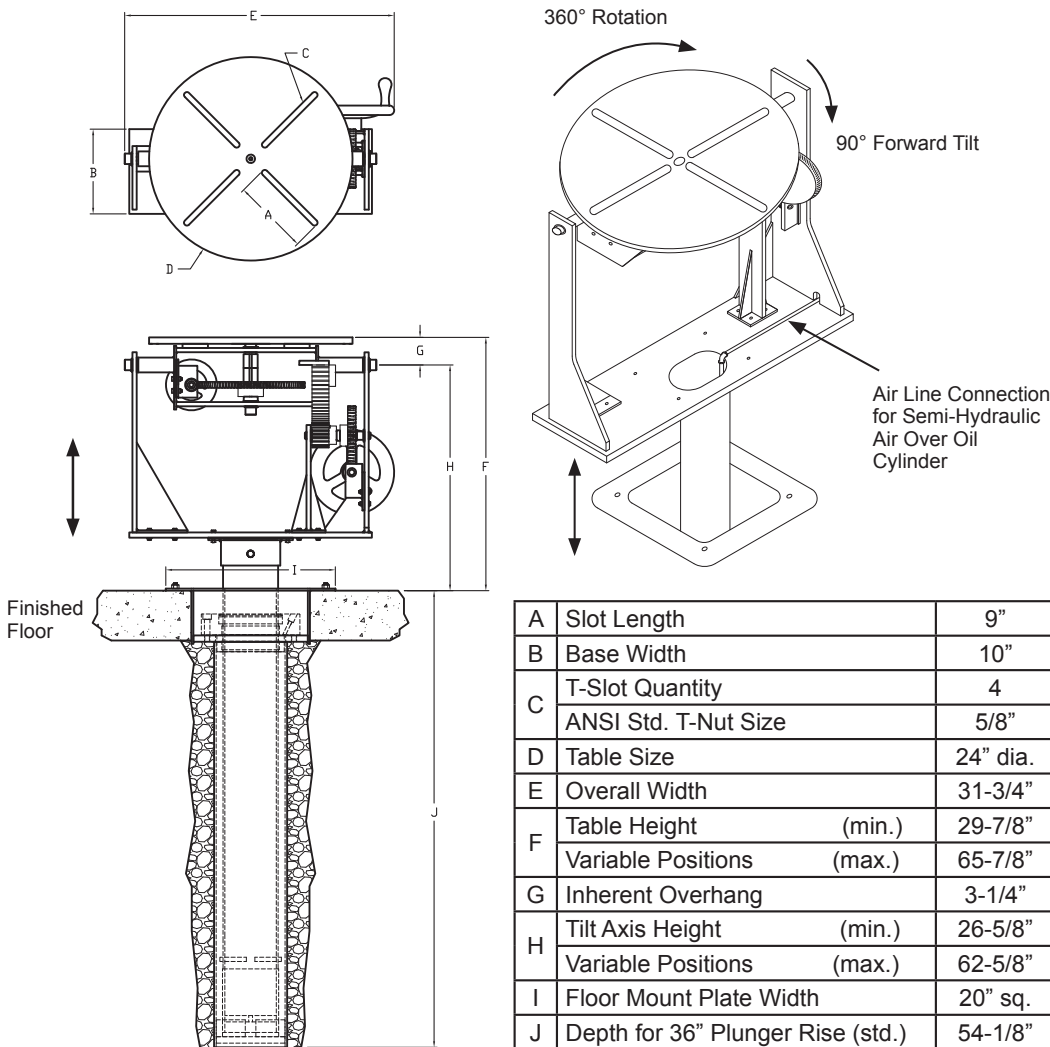
Load Capacity	1,500 lb. 4 inch overhung from face of table, 4 inch eccentricity
Swing Radius	23" at 90 degree tilt
Rotation Range	0 through 360 degrees, manual hand crank
Rotational Torque	6,000 inch pounds
Tilt Range	0 through 90 degrees, manual hand crank
Tilt Torque	10,875 inch pounds
Lift Stroke	36 inches (standard)



SVI knows custom.

Sizes listed are just a small sampling of various sizes and options we offer. If you don't see the dimensions or specifications you're looking for, no problem! Let us know and we'll work with you to make the lift to meet your needs!

From specialty recessed lifts for turbines (above) to welding positioners for huge steel fuel storage tanks (below), and everything in between, SVI has helped with solutions for a myriad of applications. If you have a special need, contact SVI sales for help exploring how your need can be solved—800-321-8173



Some of the Customers Using SVI Specialty Lifting Equipment:

Plasti Dip International • IMMI Turbines
Stoughton Trailer • Ford Motor Company
Graphics Packaging International
Imperial Industries • ALCOA • 3M
Custom Milling and Consulting
United States Gypsum • General Motors
Microblend Technologies • USNR
Eaton Sales and Service • PPG Industries
And More...



Since 1977

SVI International, Inc.

BALTIMORE • CHICAGO • LOS ANGELES

800-321-8173 • 815-748-0200

Entire contents copyright © 2016, SVI International, Inc • Information is subject to change without notice.

www.sviinternational.com