

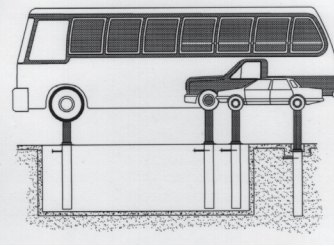
Auto, Truck or Bus Lifting.

From Front

SVI is the lift industry's leading supplier of:

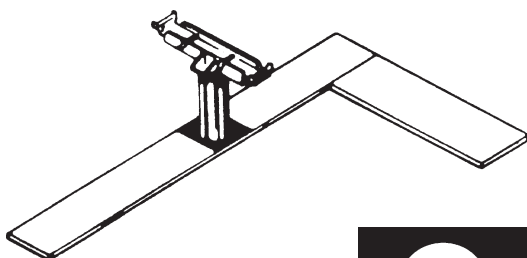
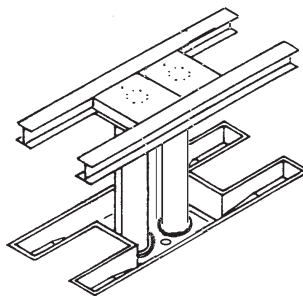
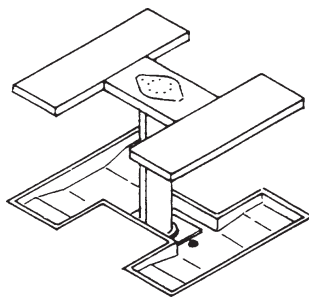
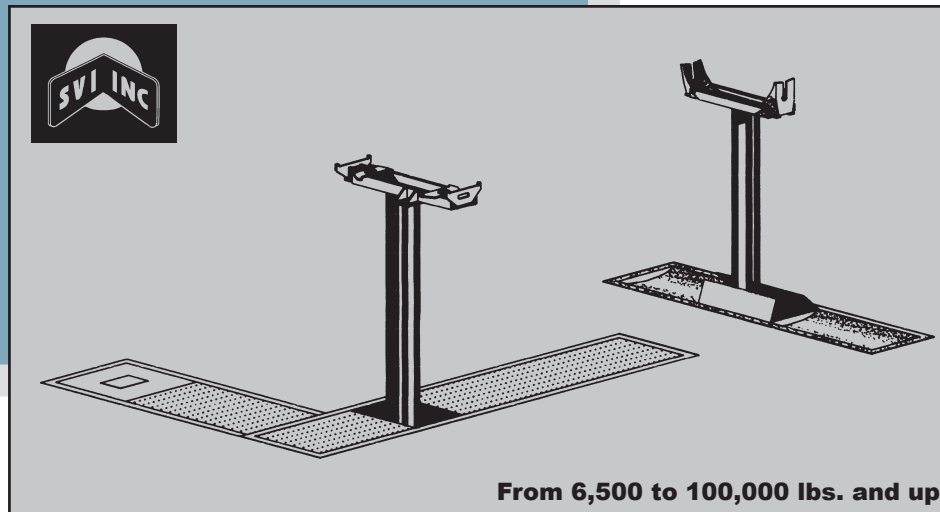
Replacement 7-1/2", 10-5/8" and 12-5/8" cylinder assemblies, complete sections and kits for many heavy-duty in-ground lifts. These lifts are found in many facilities from coast-to-coast that are engaged in heavy-duty vehicle lifting. Some lifts have been long since discontinued by the OE. Or, the OE is simply out of business.

However, none of this matters because SVI can provide the products you need to keep your lift up and running like the day it was new. Why scrap a whole lift if only half of it is a problem? There is no need to buy a whole new lift. Save yourself, the lift owner or the taxpayers money by using SVI Heavy-Duty Lift Sections and Kits.

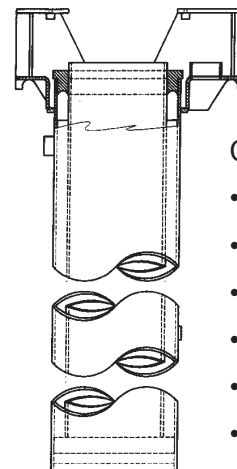


to Rear!

- Heavy-duty construction
- Built to last
- Totally repairable
- Quick delivery
- Priced right
- American made
- Fiberglass coating available
- "Direct Fit" replacement
- Can be used to help you bid your next heavy-duty lift job
- Transit specified
- Multiple lip seal technology
- 16 to 32 RMS plunger finish
- Free shipping
- 100% quality controlled



All types and configurations available.



Cylinders for:

- Rotary
- Globe
- Joyce
- Weaver
- Ford Smith
- Western and more!



SVI International, Inc.
NEW LIFTS & SECTIONS

BALTIMORE - CHICAGO - LOS ANGELES

Main Office: 155 Harvestore Dr. • DeKalb, IL 60115 • 800-321-8173 • Fax 800-899-1784

Entire Contents Copyright © SVI International, Inc. 2010