

SVI Power Post Lifting Systems

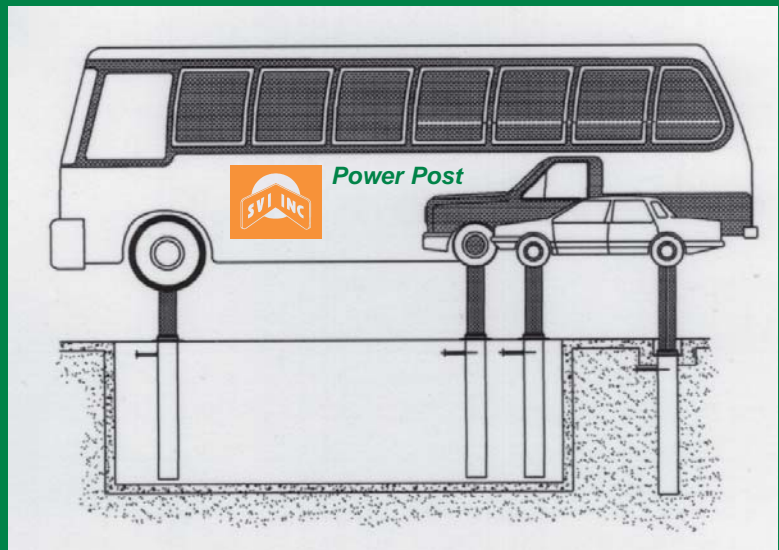
Low cost, last a lifetime lifting solutions. This product has proven itself time and time again for well over 50 years. It is extremely safe and reliable. It is Easy to install, maintain and service. And, with today's casing coatings and Aquamarine® hydraulic oil from CITGO Petroleum environmental concerns are a thing of the past.

Specify only proven products the next time you need a heavy duty lift. New style lifts on the market do not have any track record and are loaded with all kinds of cost, moving parts and electronics. Lifts are the one product that should remain simple for reliable and safe operation.

Low pressure lifts provide full displacement protection. This means a 7-1/2", 10-5/8" or 12-5/8" cylinder rod is fully supporting the load versus lifts made by others today where only a small 2" or 3" cylinder is actually supporting the bus or truck. For controlled descent and optimum safety some things just should not change. Put simplicity and safety back into the shop.

Specify Power Post Lifting Systems! Everyone will rest better at night including the taxpayers and the those who actually work under the lift.

www.sviinternational.com



SVI International, Inc.
101 West Illinois Avenue
Aurora, Illinois 60506
an American Company

SVI is your answer!

© entire contents SVI International, Inc. 2005

Power Post

Lifting Systems

Table of contents:

Model:	Capacities:	Page:
2P-102	11,000 lbs.	4, 5
2P-103	16,000 lbs.	6, 7
2P-202	11,000 lbs.	8, 9
2P-203	16,000 lbs.	10, 11
2P-107	17,500 lbs.	12, 13
2P-108	24,000 lbs.	14, 15
2P-105	24,000 lbs.	16, 17
2P-105-M	24,000 lbs.	18, 19
2P-105-RF	24,000 lbs.	20, 21
2P-105-IB	24,000 lbs.	22, 23
2P-106	36,000 or 50,000 lbs.	24, 25
2P-106-M	36,000 or 50,000 lbs.	26, 27
2P-106-RF	36,000 or 50,000 lbs.	28, 29
2P-106-IB	36,000 or 50,000 lbs.	30, 31
3P-106-DR	54,000 or 75,000 lbs.	32, 33
3P-106-DR-RF	54,000 or 75,000 lbs.	34, 35
3P-106-DR-IB	54,000 or 75,000 lbs.	36, 37
4P-106	72,000 or 100,000 lbs.	38, 39
4P-106-IB	72,000 or 100,000 lbs.	40, 41
2P-1012	43,000 or 60,000 lbs.	42, 43
2P-1012-IB	43,000 or 60,000 lbs.	44, 45
2P-1012-DDWS	43,000 or 60,000 lbs.	46, 47
2P-1012-DOR	43,000 or 60,000 lbs.	48, 49
Electric Hydraulic Power Units		50
Citgo "AQUAMARINE®" Oil Specs		50

Power Post Lift Models meet or exceed any and or all industry standards, manufacturing processes and design criteria.

Power Post Style Lift Models have been industry and user tested for well over 50 years and provide lift users with the safest available lift selection on the market today.

Written specifications available for bid work and planning.

Power Post Lifting Systems

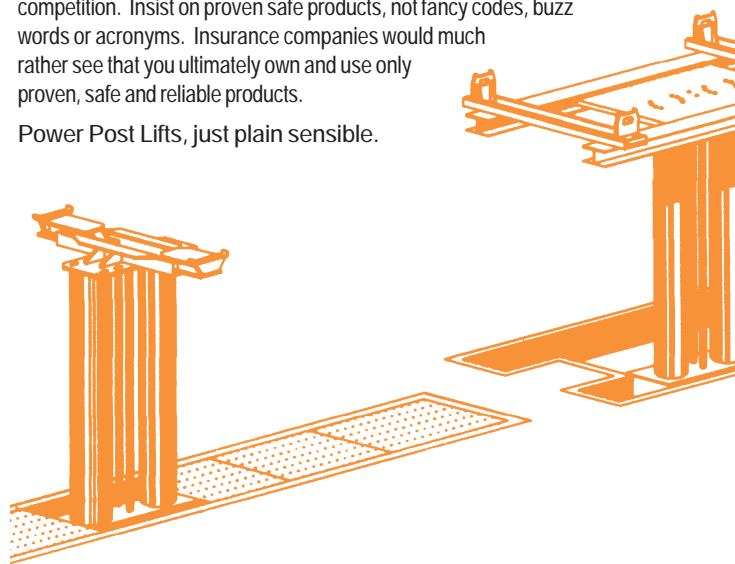
Proven Lifting Solutions

Proven Lifting Technology

Proven Safe!

Special Note: Power Post Lifts should always be considered in your bid process and never excluded due to any exclusionary tactics used by our competition. Insist on proven safe products, not fancy codes, buzz words or acronyms. Insurance companies would much rather see that you ultimately own and use only proven, safe and reliable products.

Power Post Lifts, just plain sensible.



Model 4P-106-1B

Providing
Capacity
Ranges
from
11,000 lbs.
on up to
100,000 lbs.
or more.

SVI is your answer!

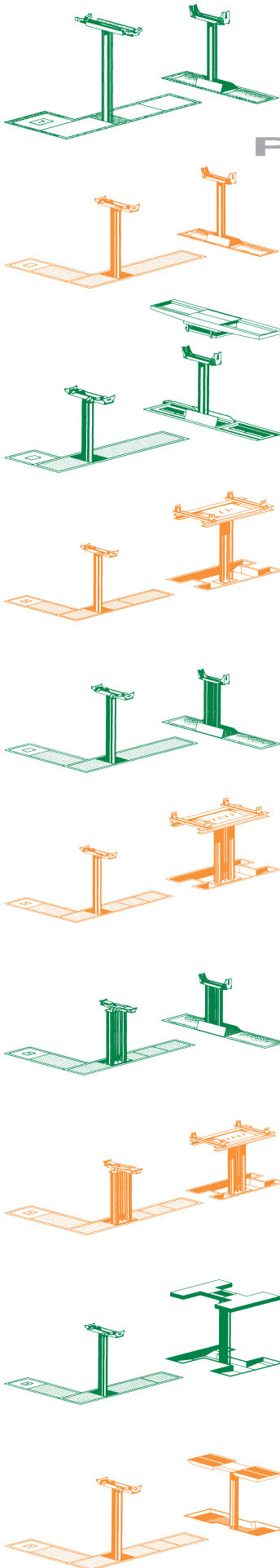
No lift is more reliable or economical to operate than a Power Post in-ground lift. Proven for years, in fact, many Power Post style lifts installed well over 50 years ago are still in service, operating as reliably as the day they were installed. Why? Because, Power Post style lifts have few moving parts and the design is robust, simple, and above all sound.

Safety is key. Power Post low pressure hydraulic lifting systems from SVI, an American owned and operated company, provide the safety you require.

In-ground low pressure lifts are not illegal, banned or even regulated. The EPA has permanently exempted them from regulation. For a copy of the federal mandate you may contact us or refer to www.fedregs.gov/tanks.

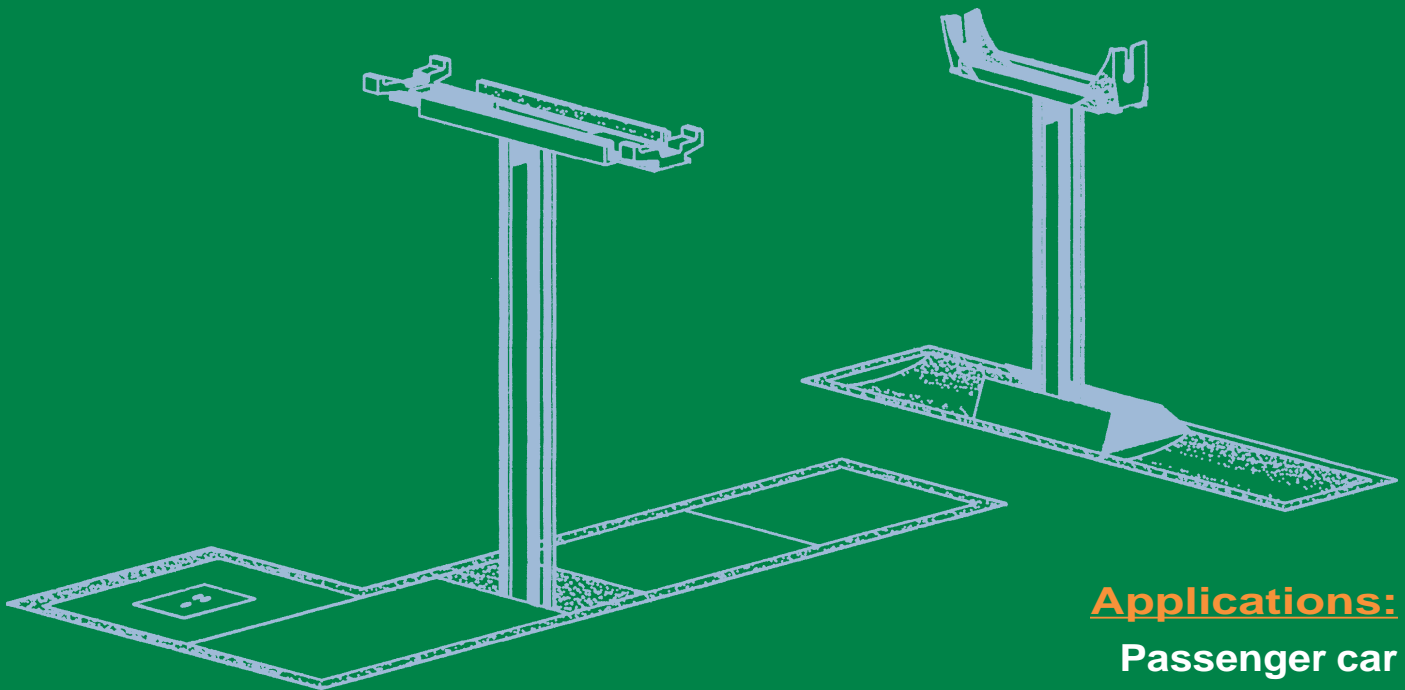
- 🗑️ **Lifts that last a lifetime!**
- 🗑️ **American Made.**
- 🗑️ **Time tested and proven.**
- 🗑️ **Proven engineering.**
- 🗑️ **Robust design.**
- 🗑️ **Ultra-insulative coating to prevent corrosion.**

- 🗑️ **Low cost of operation.**
- 🗑️ **Reliable and safe for years.**
- 🗑️ **Non-stop parts availability.**
- 🗑️ **Easy to operate.**
- 🗑️ **Easy to maintain / service.**
- 🗑️ **Can be operated with Citgo Aquamarine® hydraulic oil.**



2P-102

- Lifting capacity: 11,000 lbs., 5,500 front & 5,500 rear
- Single moveable front and single stationary rear
- Axle engaging
- Adjustable front cylinder for various wheelbase lengths
- Air/hydraulic oil or Citgo "Aquamarine" oil operated
- Post diameters: 7-1/2" front & rear
- Displacement: 28 gallons
- Raised vehicle contact height above floor: 69" front & 73-5/8" rear based on standard adapters
- Multiple lip seal seal design for increased performance



Applications:
Passenger car
Light truck

Power Post Lifting Systems

fastest, most
reliable and
economical method
for lifting



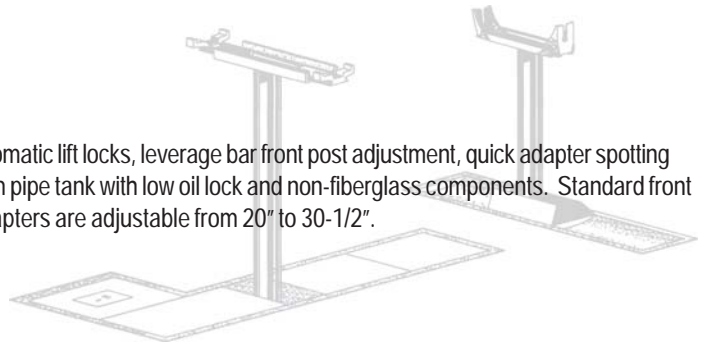
standards & options next page

Proven Lifting Technology

Specifications and Options

2P-102 Standard Equipment:

8 foot front frame (non-recessed), manual waist height release automatic lift locks, leverage bar front post adjustment, quick adapter spotting devices, floor level dead-man style control valves, standard bottom pipe tank with low oil lock and non-fiberglass components. Standard front adapters adjust from 34" to 50-3/4" in width and standard rear adapters are adjustable from 20" to 30-1/2".



Your Easy Upgrade Options:

Front Frame Upgrades:

Additional front frame length for accommodating longer vehicle wheelbase lengths.

SVI Upgrade Number	Description	SVI Upgrade Number	Description
SV-9670-009-L	9' Front Frame	SV-9670-013-L	13' Front Frame
SV-9670-010-L	10' Front Frame	SV-9670-014-L	14' Front Frame
SV-9670-011-L	11' Front Frame	SV-9670-015-L	15' Front Frame
SV-9670-012-L	12' Front Frame	SV-9670-016-L	16' Front Frame

Additional front frame length including a control box extension and manual ratchet drive.

SVI Upgrade Number	Description	SVI Upgrade Number	Description
SV-85-009H-L	9' Frame, Control Ext. & Ratchet	SV-85-013H-L	13' Frame, Control Ext. & Ratchet
SV-85-010H-L	10' Frame, Control Ext. & Ratchet	SV-85-014H-L	14' Frame, Control Ext. & Ratchet
SV-85-011H-L	11' Frame, Control Ext. & Ratchet	SV-85-015H-L	15' Frame, Control Ext. & Ratchet
SV-85-012H-L	12' Frame, Control Ext. & Ratchet	SV-85-016H-L	16' Frame, Control Ext. & Ratchet

Air Lock Upgrade:

Converts standard manual release locks to an air operated remote release multi-position lock assembly. This means your lift will lock in positions throughout the stroke rather than just at full stroke as with manual style locks. **To upgrade order SV-52-L**

Power Spot Upgrade:

Not available on this model.

Tank Upgrade:

Your choice of three upgrades. Add fiberglass coating or go to a top pipe style tank. Fiberglass coating protects your component from corrosion. Top pipe style tanks give installers easy access to fittings and helps periodic inspection.

SVI Upgrade Number	Description
SV-9801-1-L	Add Fiberglass Coating to the Standard Tank
SV-9801-2-L	Change the Standard Tank to a Top Pipe Tank
SV-9801-3-L	Add Fiberglass Coating and Change the Standard Tank to a Top Pipe Tank

Fiberglass Upgrade:

Fiberglass coat your cylinder components for added protection.

SVI Upgrade Number	Description
SV-9670-05FG-L	Add Fiberglass Coating to the Front Cylinder Assembly
SV-9670FG-L	Add Fiberglass Coating to the Rear Cylinder Assembly

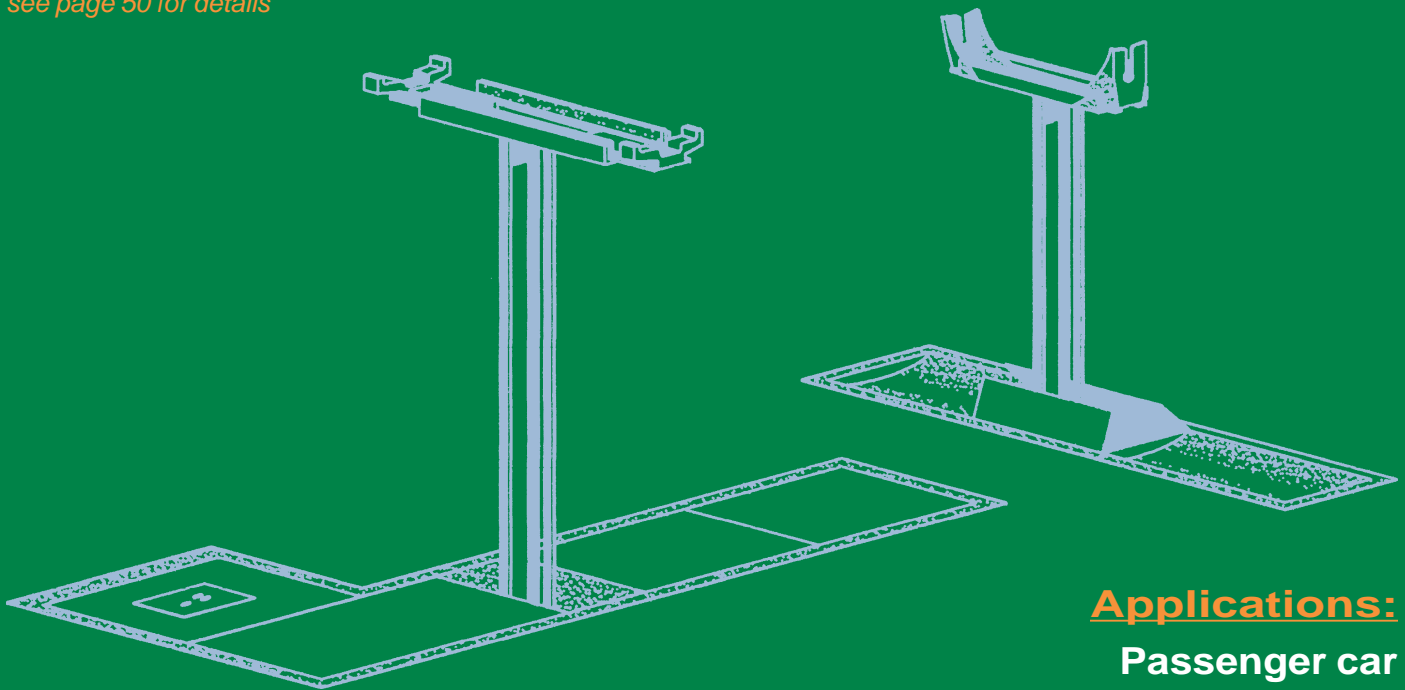


Proven Lifting Solutions

2P-103*

- Lifting capacity: 16,000 lbs., 8,000 front & 8,000 rear
- Single moveable front and single stationary rear
- Axle engaging
- Adjustable front cylinder for various wheelbase lengths
- Electric/hydraulic oil or Citgo "Aquamarine" oil operated
- Post diameters: 7-1/2" front & rear
- Displacement: 28 gallons
- Raised vehicle contact height above floor: 69" front & 73-5/8" rear based on standard adapters
- Multiple lip seal seal design for increased performance

** Requires a power unit
see page 50 for details*



Applications:

Passenger car
Light truck

Power Post Lifting Systems

**fastest, most
reliable and
economical method
for lifting**



standards & options next page

Proven Lifting Technology

Specifications and Options

2P-103 Standard Equipment:

8 foot front frame (non-recessed), manual waist height release automatic lift locks, leverage bar front post adjustment, quick adapter spotting devices, floor level dead-man style control valves, (note: power unit is not supplied) and non-fiberglass components. Standard front adapters adjust from 34" to 50-3/4" in width and standard rear adapters are adjustable from 20" to 30-1/2".

Your Easy Upgrade Options:

Front Frame Upgrades:

Additional front frame length for accommodating longer vehicle wheelbase lengths.

SVI Upgrade Number	Description	SVI Upgrade Number	Description
SV-9670-009-L	9' Front Frame	SV-9670-013-L	13' Front Frame
SV-9670-010-L	10' Front Frame	SV-9670-014-L	14' Front Frame
SV-9670-011-L	11' Front Frame	SV-9670-015-L	15' Front Frame
SV-9670-012-L	12' Front Frame	SV-9670-016-L	16' Front Frame

Additional front frame Length including a control box extension and manual ratchet drive.

SVI Upgrade Number	Description	SVI Upgrade Number	Description
SV-85-009E-L	9' Frame, Control Ext. & Ratchet	SV-85-013E-L	13' Frame, Control Ext. & Ratchet
SV-85-010E-L	10' Frame, Control Ext. & Ratchet	SV-85-014E-L	14' Frame, Control Ext. & Ratchet
SV-85-011E-L	11' Frame, Control Ext. & Ratchet	SV-85-015E-L	15' Frame, Control Ext. & Ratchet
SV-85-012E-L	12' Frame, Control Ext. & Ratchet	SV-85-016E-L	16' Frame, Control Ext. & Ratchet

Air Lock Upgrade:

Converts standard manual release locks to an air operated remote release multi-position lock assembly. This means your lift will lock in positions throughout the stroke rather than just at full stroke as with manual style locks. **To upgrade order SV-52-L**

Power Spot Upgrade:

Not available on this model.

Fiberglass Upgrade:

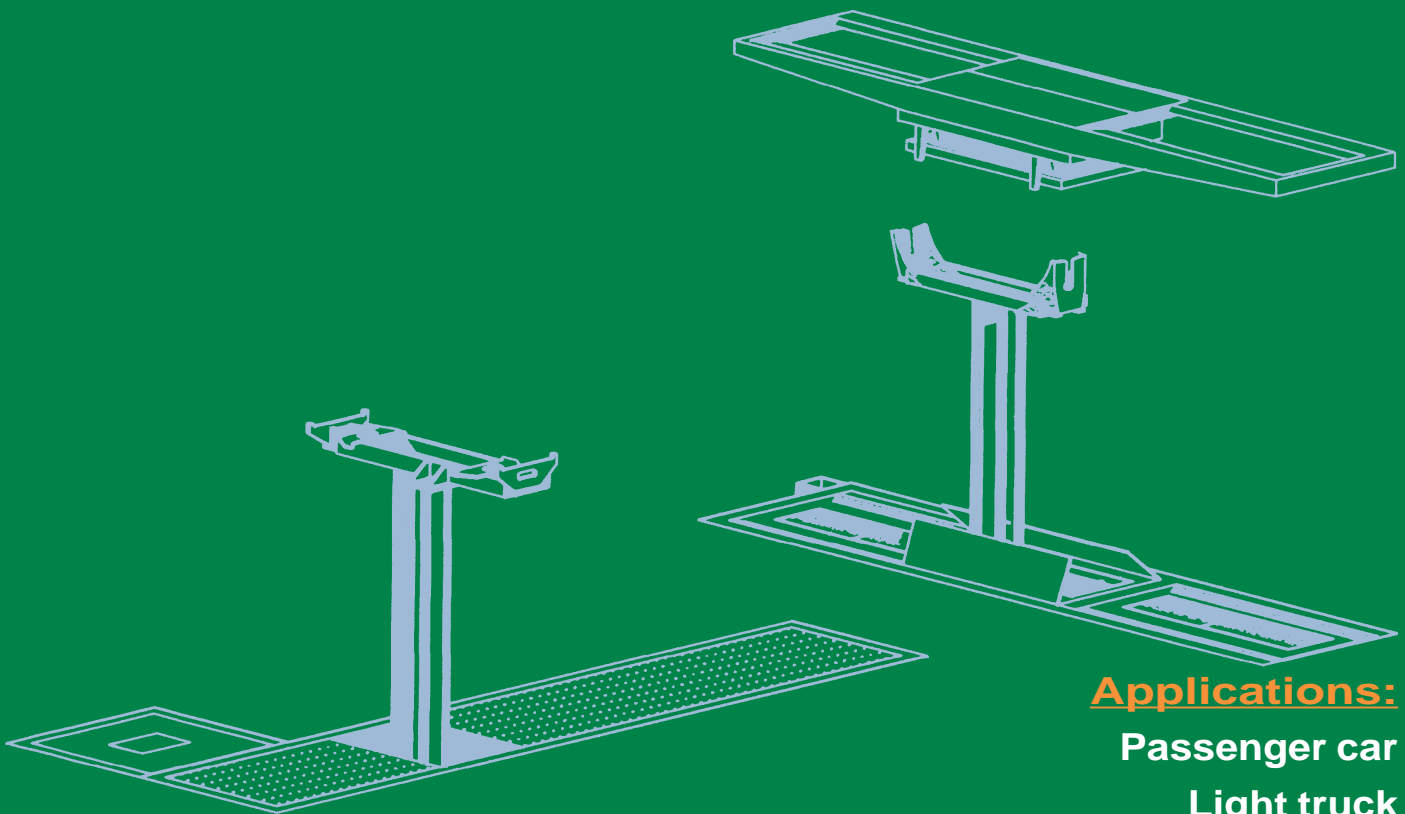
Fiberglass coat your cylinder components for added protection.

SVI Upgrade Number	Description
SV-9670-05FG-L	Add Fiberglass Coating to the Front Cylinder Assembly
SV-9670FG-L	Add Fiberglass Coating to the Rear Cylinder Assembly



2P-202

- Lifting capacity: 11,000 lbs., 5,500 front & 5,500 rear
- Single moveable front and single stationary rear
- Axle engaging front & wheel or axle engaging rear
- Adjustable front cylinder for various wheelbase lengths
- Air/hydraulic oil or Citgo "Aquamarine" oil operated
- Post diameters: 7-1/2" front & rear
- Displacement: 28 gallons
- Raised vehicle contact height above floor: 69" front & 73-5/8" rear based on standard adapters
- Multiple lip seal seal design for increased performance



Applications:

Passenger car
Light truck

Power Post Lifting Systems

fastest, most
reliable and
economical method
for lifting



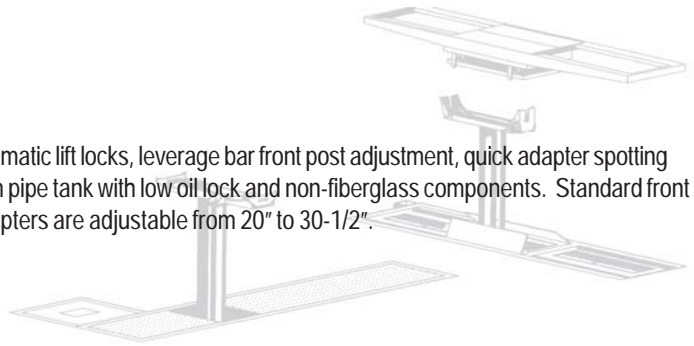
standards & options next page

Proven Lifting Technology

Specifications and Options

2P-202 Standard Equipment:

8 foot front frame (non-recessed), manual waist height release automatic lift locks, leverage bar front post adjustment, quick adapter spotting devices, floor level dead-man style control valves, standard bottom pipe tank with low oil lock and non-fiberglass components. Standard front adapters adjust from 34" to 50-3/4" in width and standard rear adapters are adjustable from 20" to 30-1/2".



Your Easy Upgrade Options:

Front Frame Upgrades:

Additional front frame length for accommodating longer vehicle wheelbase lengths.

SVI Upgrade Number	Description	SVI Upgrade Number	Description
SV-9670-009-L	9' Front Frame	SV-9670-013-L	13' Front Frame
SV-9670-010-L	10' Front Frame	SV-9670-014-L	14' Front Frame
SV-9670-011-L	11' Front Frame	SV-9670-015-L	15' Front Frame
SV-9670-012-L	12' Front Frame	SV-9670-016-L	16' Front Frame

Additional front frame length including a control box extension and manual ratchet drive.

SVI Upgrade Number	Description	SVI Upgrade Number	Description
SV-85-009H-L	9' Frame, Control Ext. & Ratchet	SV-85-013H-L	13' Frame, Control Ext. & Ratchet
SV-85-010H-L	10' Frame, Control Ext. & Ratchet	SV-85-014H-L	14' Frame, Control Ext. & Ratchet
SV-85-011H-L	11' Frame, Control Ext. & Ratchet	SV-85-015H-L	15' Frame, Control Ext. & Ratchet
SV-85-012H-L	12' Frame, Control Ext. & Ratchet	SV-85-015H-L	16' Frame, Control Ext. & Ratchet

Air Lock Upgrade:

Converts standard manual release locks to an air operated remote release multi-position lock assembly. This means your lift will lock in positions throughout the stroke rather than just at full stroke as with manual style locks. **To upgrade order SV-52-L**

Power Spot Upgrade:

Not available on this model.

Tank Upgrade:

Your choice of three upgrades. Add fiberglass coating or go to a top pipe style tank. Fiberglass coating protects your component from corrosion. Top pipe style tanks give installers easy access to fittings and helps periodic inspection.

SVI Upgrade Number	Description
SV-9801-1-L	Add Fiberglass Coating to the Standard Tank
SV-9801-2-L	Change the Standard Tank to a Top Pipe Tank
SV-9801-3-L	Add Fiberglass Coating and Change the Standard Tank to a Top Pipe Tank

Fiberglass Upgrade:

Fiberglass coat your cylinder components for added protection.

SVI Upgrade Number	Description
SV-9670-05FG-L	Add Fiberglass Coating to the Front Cylinder Assembly
SV-9670FG-L	Add Fiberglass Coating to the Rear Cylinder Assembly



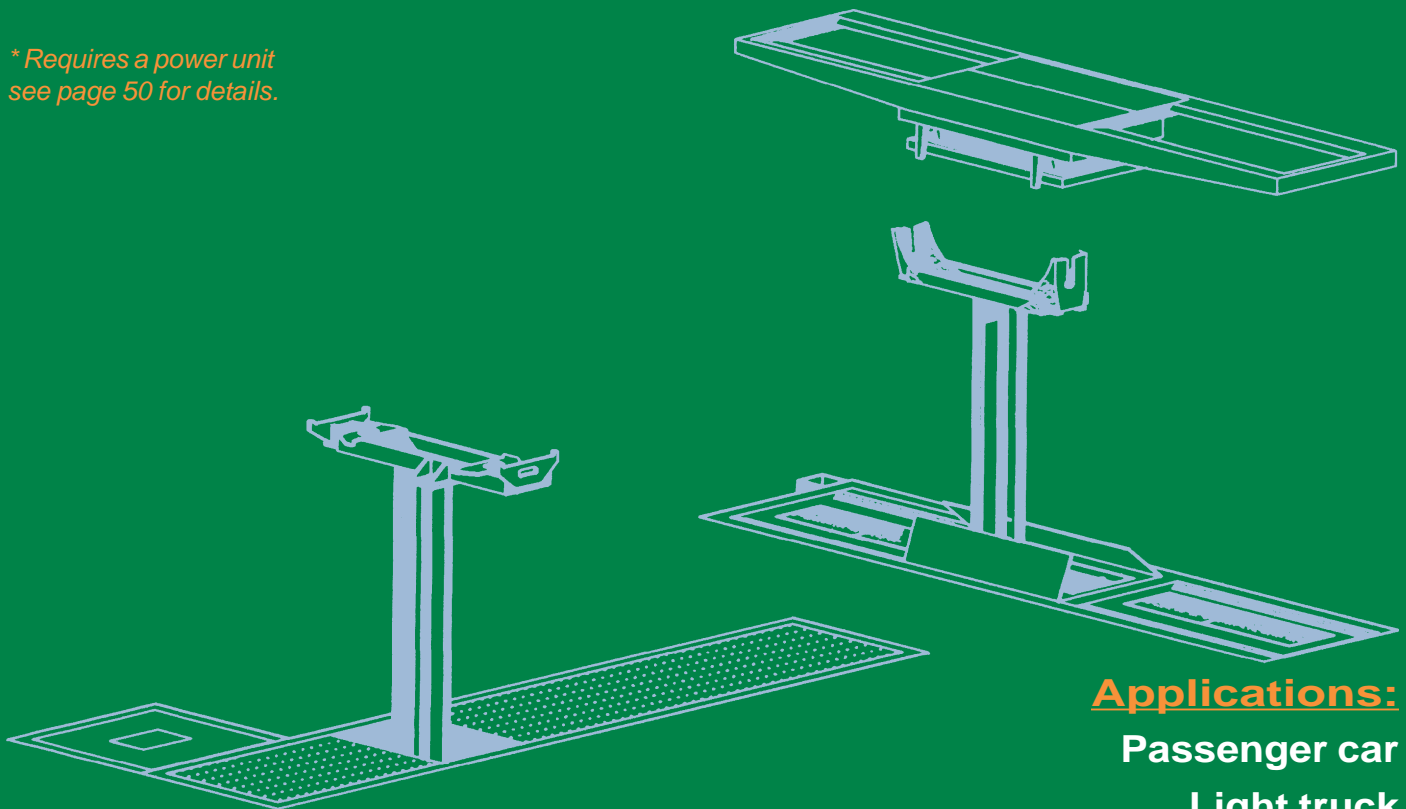
SVI International, Inc.
Power Post Lifting Systems

ph 800-321-8173 / 630-844-5566
fax 800-899-1784 / 630-844-6770

2P-203*

- Lifting capacity: 16,000 lbs., 8,000 front & 8,000 rear
- Single moveable front and single stationary rear
- Axle engaging front & wheel or axle engaging rear
- Adjustable front cylinder for various wheelbase lengths
- Electric/hydraulic oil or Citgo "Aquamarine" oil operated
- Post diameters: 7-1/2" front & rear
- Displacement: 28 gallons
- Raised vehicle contact height above floor: 69" front & 73-5/8" rear based on standard adapters
- Multiple lip seal seal design for increased performance

* Requires a power unit
see page 50 for details.



Applications:

Passenger car
Light truck

Power Post Lifting Systems

fastest, most
reliable and
economical method
for lifting



standards & options next page

Proven Lifting Technology

Specifications and Options

2P-203 Standard Equipment:

8 foot front frame (non-recessed), manual waist height release automatic lift locks, leverage bar front post adjustment, quick adapter spotting devices, floor level dead-man style control valves, (note: power unit is not supplied) and non-fiberglass components. Standard front adapters adjust from 34" to 50-3/4" in width and standard rear adapters are adjustable from 20" to 30-1/2".

Your Easy Upgrade Options:

Front Frame Upgrades:

Additional front frame length for accommodating longer vehicle wheelbase lengths.

SVI Upgrade Number	Description	SVI Upgrade Number	Description
SV-9670-009-L	9' Front Frame	SV-9670-013-L	13' Front Frame
SV-9670-010-L	10' Front Frame	SV-9670-014-L	14' Front Frame
SV-9670-011-L	11' Front Frame	SV-9670-015-L	15' Front Frame
SV-9670-012-L	12' Front Frame	SV-9670-015-L	16' Front Frame

Additional front frame length including a control box extension and manual ratchet drive.

SVI Upgrade Number	Description	SVI Upgrade Number	Description
SV-85-009E-L	9' Frame, Control Ext. & Ratchet	SV-85-013E-L	13' Frame, Control Ext. & Ratchet
SV-85-010E-L	10' Frame, Control Ext. & Ratchet	SV-85-014E-L	14' Frame, Control Ext. & Ratchet
SV-85-011E-L	11' Frame, Control Ext. & Ratchet	SV-85-015E-L	15' Frame, Control Ext. & Ratchet
SV-85-012E-L	12' Frame, Control Ext. & Ratchet	SV-85-015E-L	16' Frame, Control Ext. & Ratchet

Air Lock Upgrade:

Converts standard manual release locks to an air operated remote release multi-position lock assembly. This means your lift will lock in positions throughout the stroke rather than just at full stroke as with manual style locks. **To upgrade order SV-52-L**

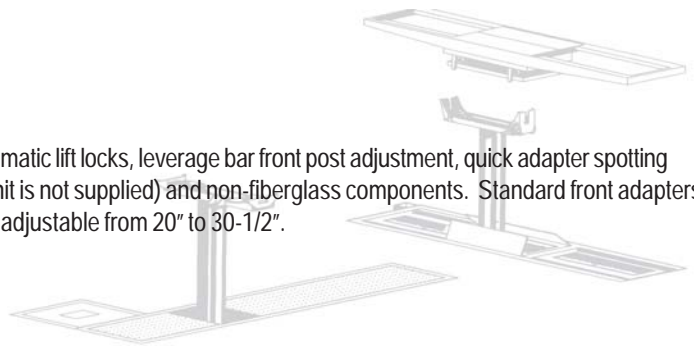
Power Spot Upgrade:

Not available on this model.

Fiberglass Upgrade:

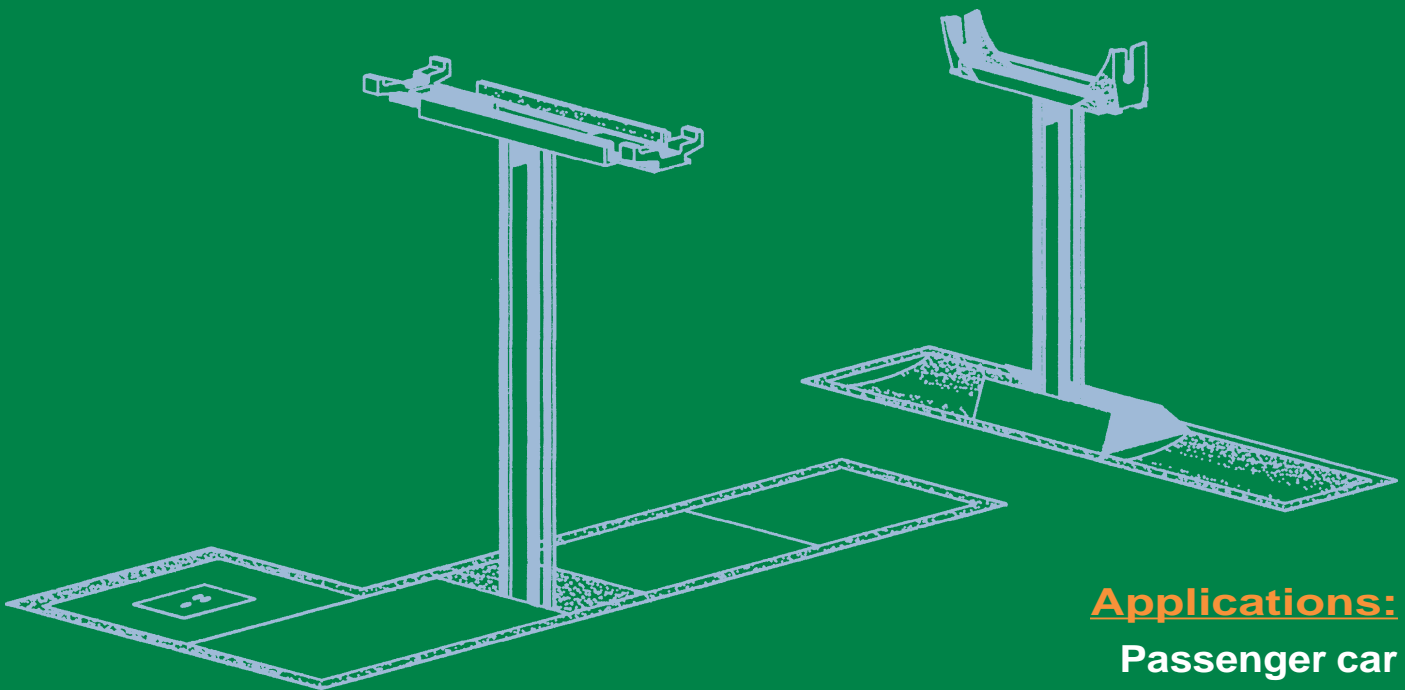
Fiberglass coat your cylinder components for added protection.

SVI Upgrade Number	Description
SV-9670-05FG-L	Add Fiberglass Coating to the Front Cylinder Assembly
SV-9670FG-L	Add Fiberglass Coating to the Rear Cylinder Assembly



2P-107

- Lifting capacity: 17,500 lbs., 5,500 front & 12,000 rear
- Single moveable front and single stationary rear
- Axle engaging
- Adjustable front cylinder for various wheelbase lengths
- Air/hydraulic oil or Citgo "Aquamarine" oil operated
- Post diameters: 7-1/2" front & 10-5/8" rear
- Displacement: 39 gallons
- Raised vehicle contact height above floor: 69" front & 69-3/4" rear based on standard adapters
- Multiple lip seal seal design for increased performance



Applications:

Passenger car
Light truck
Medium Truck

Power Post Lifting Systems

fastest, most
reliable and
economical method
for lifting



standards & options next page

Proven Lifting Technology

Specifications and Options

2P-107 Standard Equipment:

8 foot front frame (non-recessed), manual waist height release automatic lift locks, leverage bar front post adjustment, quick adapter spotting devices, floor level dead-man style control valves, standard bottom pipe tank with low oil lock and non-fiberglass components. Standard front adapters adjust from 37-1/2" to 60" in width and standard rear adapters are adjustable from 24" to 44".



Your Easy Upgrade Options:

Front Frame Upgrades:

Additional front frame length for accommodating longer vehicle wheelbase lengths.

SVI Upgrade Number	Description	SVI Upgrade Number	Description
SV-9670-009-L	9' Front Frame	SV-9670-013-L	13' Front Frame
SV-9670-010-L	10' Front Frame	SV-9670-014-L	14' Front Frame
SV-9670-011-L	11' Front Frame	SV-9670-015-L	15' Front Frame
SV-9670-012-L	12' Front Frame	SV-9670-016-L	16' Front Frame

Additional front frame length including a control box extension and manual ratchet drive.

SVI Upgrade Number	Description	SVI Upgrade Number	Description
SV-85-009H-L	9' Frame, Control Ext. & Ratchet	SV-85-013H-L	13' Frame, Control Ext. & Ratchet
SV-85-010H-L	10' Frame, Control Ext. & Ratchet	SV-85-014H-L	14' Frame, Control Ext. & Ratchet
SV-85-011H-L	11' Frame, Control Ext. & Ratchet	SV-85-015H-L	15' Frame, Control Ext. & Ratchet
SV-85-012H-L	12' Frame, Control Ext. & Ratchet	SV-85-016H-L	16' Frame, Control Ext. & Ratchet

Air Lock Upgrade:

Converts standard manual release locks to a remote release multi-position lock assembly. This means your lift will lock in positions throughout the stroke rather than just at full stroke as with manual style locks. **To upgrade order SV-54-L**

Power Spot Upgrade:

Not available on this model.

Tank Upgrade:

Your choice of three upgrades. Add fiberglass coating or go to a top pipe style tank. Fiberglass coating protects your component from corrosion.

SVI Upgrade Number	Description
SV-9805-L	Add Fiberglass Coating to the Standard Tank

Please note: Top pipe tank not available for 2P-107

Fiberglass Upgrade:

Fiberglass coat your cylinder components for added protection.

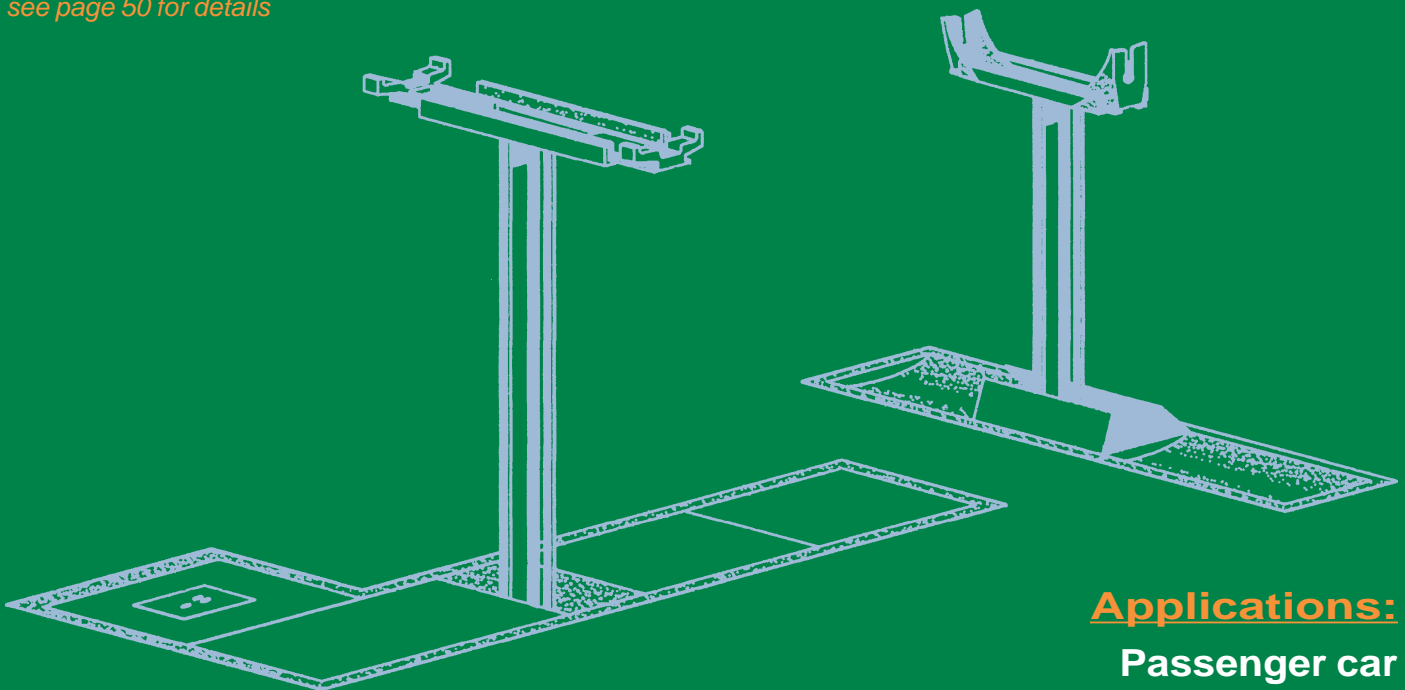
SVI Upgrade Number	Description
SV-9670-05FG-L	Add Fiberglass Coating to the Front Cylinder Assembly
SV-9667-32FG-L	Add Fiberglass Coating to the Rear Cylinder Assembly



2P-108*

- Lifting capacity: 24,000 lbs., 8,000 front & 16,000 rear
- Single moveable front and single stationary rear
- Axle engaging
- Adjustable front cylinder for various wheelbase lengths
- Electric/hydraulic oil or Citgo "Aquamarine" oil operated
- Post diameters: 7-1/2" front & 10-5/8" rear
- Displacement: 39 gallons
- Raised vehicle contact height above floor: 69" front & 69-3/4" rear based on standard adapters
- Multiple lip seal seal design for increased performance

* Requires a power unit
see page 50 for details



Applications:

Passenger car
Light truck
Medium Truck

Power Post Lifting Systems

fastest, most
reliable and
economical method
for lifting



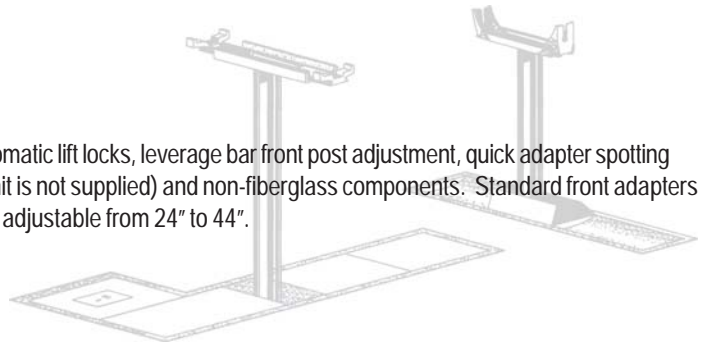
standards & options next page

Proven Lifting Technology

Specifications and Options

2P-108 Standard Equipment:

8 foot front frame (non-recessed), manual waist height release automatic lift locks, leverage bar front post adjustment, quick adapter spotting devices, floor level dead-man style control valves, (note: power unit is not supplied) and non-fiberglass components. Standard front adapters adjust from 37-1/2" to 60" in width and standard rear adapters are adjustable from 24" to 44".



Your Easy Upgrade Options:

Front Frame Upgrades:

Additional front frame length for accommodating longer vehicle wheelbase lengths.

SVI Upgrade Number	Description	SVI Upgrade Number	Description
SV-9670-009-L	9' Front Frame	SV-9670-013-L	13' Front Frame
SV-9670-010-L	10' Front Frame	SV-9670-014-L	14' Front Frame
SV-9670-011-L	11' Front Frame	SV-9670-015-L	15' Front Frame
SV-9670-012-L	12' Front Frame	SV-9670-016-L	16' Front Frame

Additional front frame length including a control box extension and manual ratchet drive.

SVI Upgrade Number	Description	SVI Upgrade Number	Description
SV-85-009E-L	9' Frame, Control Ext. & Ratchet	SV-85-013E-L	13' Frame, Control Ext. & Ratchet
SV-85-010E-L	10' Frame, Control Ext. & Ratchet	SV-85-014E-L	14' Frame, Control Ext. & Ratchet
SV-85-011E-L	11' Frame, Control Ext. & Ratchet	SV-85-015E-L	15' Frame, Control Ext. & Ratchet
SV-85-012E-L	12' Frame, Control Ext. & Ratchet	SV-85-016E-L	16' Frame, Control Ext. & Ratchet

Air Lock Upgrade:

Converts standard manual release locks to an air operated remote release multi-position lock assembly. This means your lift will lock in positions throughout the stroke rather than just at full stroke as with manual style locks. **To upgrade order SV-54-L**

Power Spot Upgrade:

Not available on this model.

Fiberglass Upgrade:

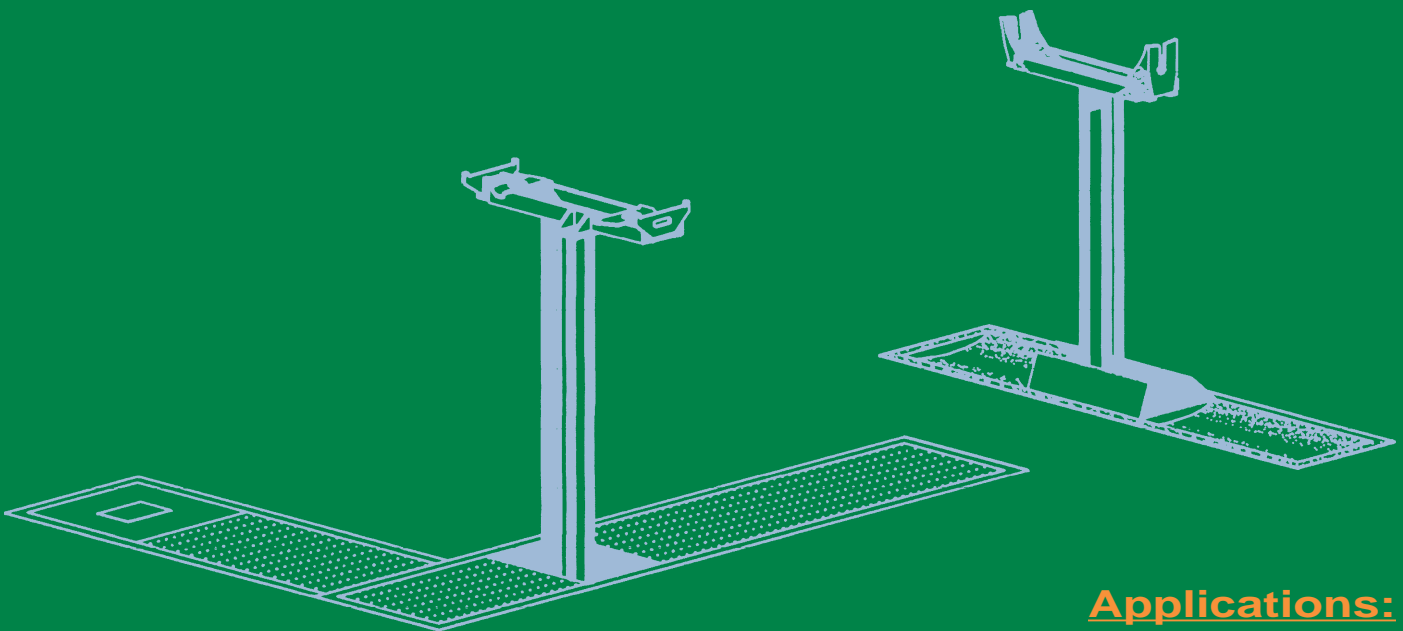
Fiberglass coat your cylinder components for added protection.

SVI Upgrade Number	Description
SV-9670-05FG-L	Add Fiberglass Coating to the Front Cylinder Assembly
SV-9667-32FG-L	Add Fiberglass Coating to the Rear Cylinder Assembly



2P-105

- Lifting capacity: 24,000 lbs., 12,000 front & 12,000 rear
- Single moveable front and single stationary rear
- Axle engaging
- Adjustable front cylinder for various wheelbase lengths
- Air/hydraulic oil or Citgo "Aquamarine" oil operated
- Post diameters: 10-5/8" front & rear
- Displacement: 50 gallons
- Raised vehicle contact height above floor: 67" front & 69-3/4" rear based on standard adapters
- Multiple lip seal seal design for increased performance



Applications:

Truck Dealerships

School Buses

Municipal Garages

or wherever heavy-duty vehicle lifting is required

Power Post Lifting Systems

fastest, most
reliable and
economical method
for lifting



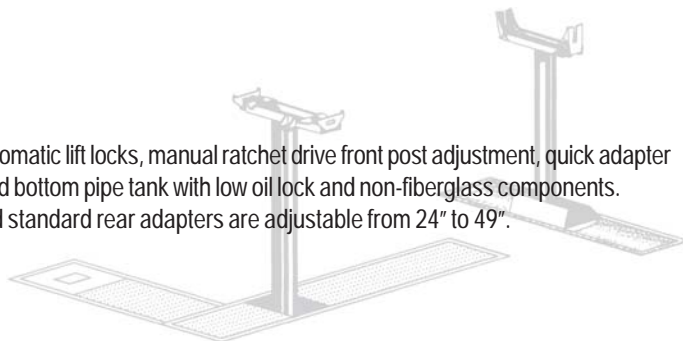
standards & options next page

Proven Lifting Technology

Specifications and Options

2P-105 Standard Equipment:

12 foot front frame (non-recessed), manual waist height release automatic lift locks, manual ratchet drive front post adjustment, quick adapter spotting devices, floor level dead-man style control valves, standard bottom pipe tank with low oil lock and non-fiberglass components. Standard front adapters adjust from 40-1/2" to 57-1/2" in width and standard rear adapters are adjustable from 24" to 49".



Your Easy Upgrade Options:

Front Frame Upgrades:

Additional front frame length for accommodating longer vehicle wheelbase lengths.

SVI Upgrade Number	Description	SVI Upgrade Number	Description
SV-9667-013-L	13' Front Frame	SV-9667-017-L	17' Front Frame
SV-9667-014-L	14' Front Frame	SV-9667-018-L	18' Front Frame
SV-9667-015-L	15' Front Frame		
SV-9667-016-L	16' Front Frame	Longer front frame lengths available per request	

Air Lock Upgrade:

Converts standard manual release locks to an air operated remote release multi-position lock assembly. This means your lift will lock in positions throughout the stroke rather than just at full stroke as with manual style locks. **To upgrade order SV-56-L**

Power Spot Upgrade:

Not available on this model.

Tank Upgrade:

Your choice of three upgrades. Add fiberglass coating or go to a top pipe style tank. Fiberglass coating protects your component from corrosion. Top pipe style tanks give installers easy access to fittings and helps periodic inspection.

SVI Upgrade Number	Description
SV-9804-1-L	Add Fiberglass Coating to the Standard Tank
SV-9804-2-L	Change the Standard Tank to a Top Pipe Tank
SV-9804-3-L	Add Fiberglass Coating and Change the Standard Tank to a Top Pipe Tank

Fiberglass Upgrade:

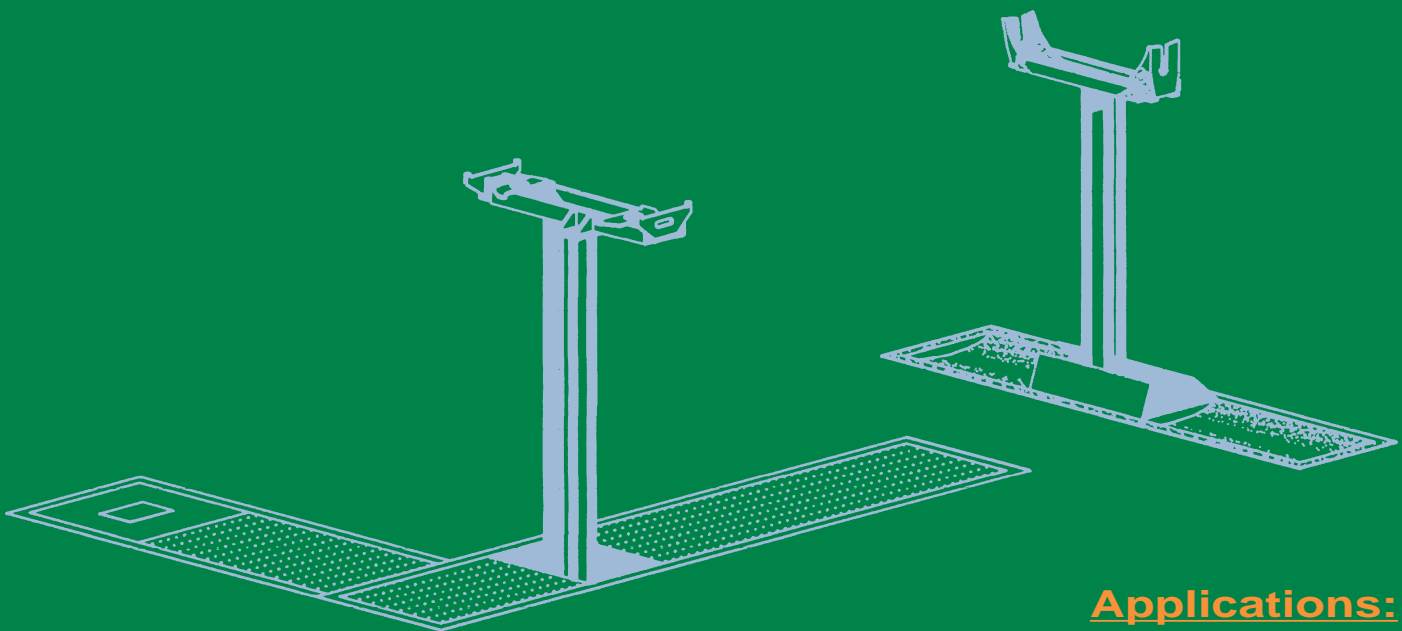
Fiberglass coat your cylinder components for added protection.

SVI Upgrade Number	Description
SV-9667-32FFG-L	Add Fiberglass Coating to the Front Cylinder Assembly
SV-9667-32FG-L	Add Fiberglass Coating to the Rear Cylinder Assembly



2P-105-M

- Lifting capacity: 24,000 lbs., 12,000 front & 12,000 rear
- Single moveable front and single stationary rear
- Axle engaging with modified narrow range rear saddle
- Adjustable front cylinder for various wheelbase lengths
- Air/hydraulic oil or Citgo "Aquamarine" oil operated
- Post diameters: 10-5/8" front & rear
- Displacement: 50 gallons
- Raised vehicle contact height above floor: 67" front & 69-3/4" rear based on standard adapters
- Multiple lip seal seal design for increased performance



Applications:

Truck Dealerships

School Buses

Municipal Garages

or wherever heavy-duty vehicle lifting is required

Power Post Lifting Systems

fastest, most
reliable and
economical method
for lifting



standards & options next page

Proven Lifting Technology

Specifications and Options

2P-105-M Standard Equipment:

12 foot front frame (non-recessed), manual waist height release automatic lift locks, manual ratchet drive front post adjustment, quick adapter spotting devices, floor level dead-man style control valves, standard bottom pipe tank with low oil lock and non-fiberglass components. Standard front adapters adjust from 40-1/2" to 57-1/2" in width and standard rear adapters are adjustable from 24" to 44".



Your Easy Upgrade Options:

Front Frame Upgrades:

Additional front frame length for accommodating longer vehicle wheelbase lengths.

SVI Upgrade Number	Description	SVI Upgrade Number	Description
SV-9667-013-L	13' Front Frame	SV-9667-017-L	17' Front Frame
SV-9667-014-L	14' Front Frame	SV-9667-018-L	18' Front Frame
SV-9667-015-L	15' Front Frame		
SV-9667-016-L	16' Front Frame	Longer front frame lengths available per request	

Air Lock Upgrade:

Converts standard manual release locks to an air operated remote release multi-position lock assembly. This means your lift will lock in positions throughout the stroke rather than just at full stroke as with manual style locks. **To upgrade order SV-56-L**

Power Spot Upgrade:

Not available on this model.

Tank Upgrade:

Your choice of three upgrades. Add fiberglass coating or go to a top pipe style tank. Fiberglass coating protects your component from corrosion. Top pipe style tanks give installers easy access to fittings and helps periodic inspection.

SVI Upgrade Number	Description
SV-9804-1-L	Add Fiberglass Coating to the Standard Tank
SV-9804-2-L	Change the Standard Tank to a Top Pipe Tank
SV-9804-3-L	Add Fiberglass Coating and Change the Standard Tank to a Top Pipe Tank

Fiberglass Upgrade:

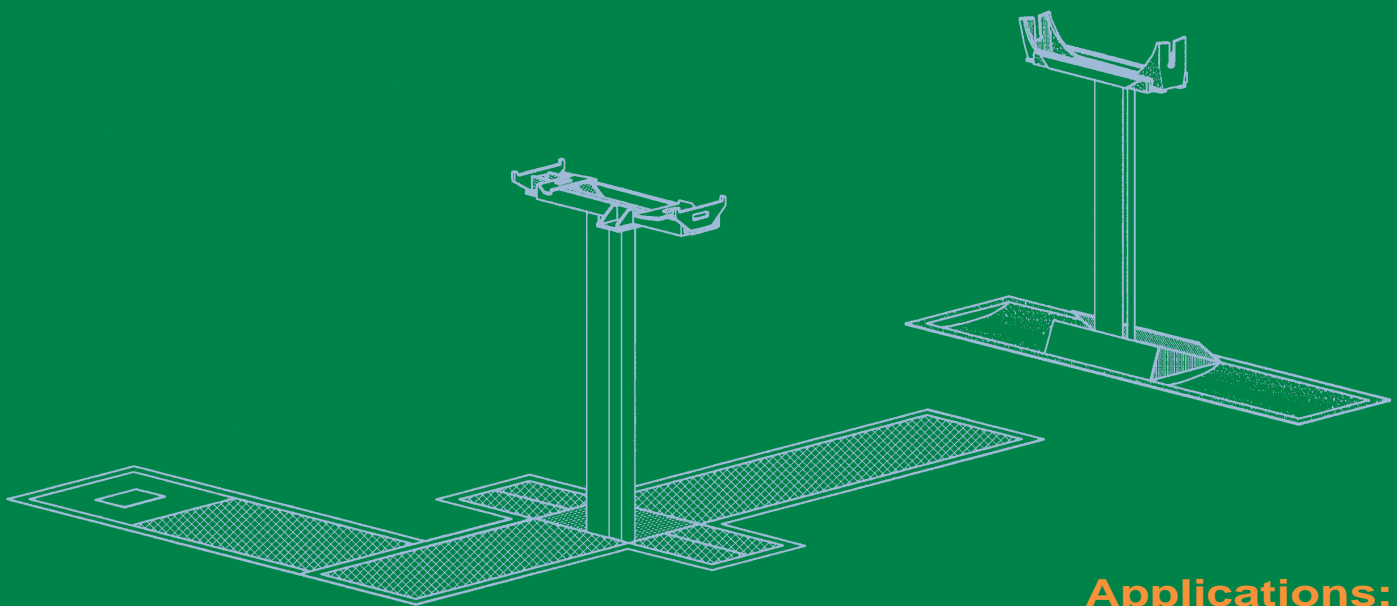
Fiberglass coat your cylinder components for added protection.

SVI Upgrade Number	Description
SV-9667-32FFG-L	Add Fiberglass Coating to the Front Cylinder Assembly
SV-9667-32FG-L	Add Fiberglass Coating to the Rear Cylinder Assembly



2P-105-RF

- Lifting capacity: 24,000 lbs., 12,000 front & 12,000 rear
- Single moveable recessed front and single stationary rear
- Axle engaging
- Adjustable front cylinder for various wheelbase lengths
- Air/hydraulic oil or Citgo "Aquamarine" oil operated
- Post diameters: 10-5/8" front & rear
- Displacement: 50 gallons
- Raised vehicle contact height above floor: 67" front & 69-3/4" rear based on standard adapters
- Multiple lip seal seal design for increased performance



Applications:

Truck Dealerships

School Buses

Municipal Garages

or wherever heavy-duty vehicle lifting is required

Power Post Lifting Systems

fastest, most
reliable and
economical method
for lifting



standards & options next page

Proven Lifting Technology

Specifications and Options

2P-105-RF Standard Equipment:

12 foot front frame (recessed), manual waist height release automatic lift locks, manual ratchet drive front post adjustment, quick adapter spotting devices, floor level dead-man style control valves, standard bottom pipe tank with low oil lock and non-fiberglass components. Standard front adapters adjust from 40-1/2" to 57-1/2" in width and standard rear adapters are adjustable from 24" to 49".

Your Easy Upgrade Options:

Front Frame Upgrades:

Additional front frame length for accommodating longer vehicle wheelbase lengths.

SVI Upgrade Number	Description	SVI Upgrade Number	Description
SV-9667-013-LR	13' Front Frame	SV-9667-017-LR	17' Front Frame
SV-9667-014-LR	14' Front Frame	SV-9667-018-LR	18' Front Frame
SV-9667-015-LR	15' Front Frame		
SV-9667-016-LR	16' Front Frame	Longer front frame lengths available per request	

Air Lock Upgrade:

Converts standard manual release locks to an air operated remote release multi-position lock assembly. This means your lift will lock in positions throughout the stroke rather than just at full stroke as with manual style locks. **To upgrade order SV-56-L**

Power Spot Upgrade:

Not available on this model.

Tank Upgrade:

Your choice of three upgrades. Add fiberglass coating or go to a top pipe style tank. Fiberglass coating protects your component from corrosion. Top pipe style tanks give installers easy access to fittings and helps periodic inspection.

SVI Upgrade Number	Description
SV-9804-1-L	Add Fiberglass Coating to the Standard Tank
SV-9804-2-L	Change the Standard Tank to a Top Pipe Tank
SV-9804-3-L	Add Fiberglass Coating and Change the Standard Tank to a Top Pipe Tank

Fiberglass Upgrade:

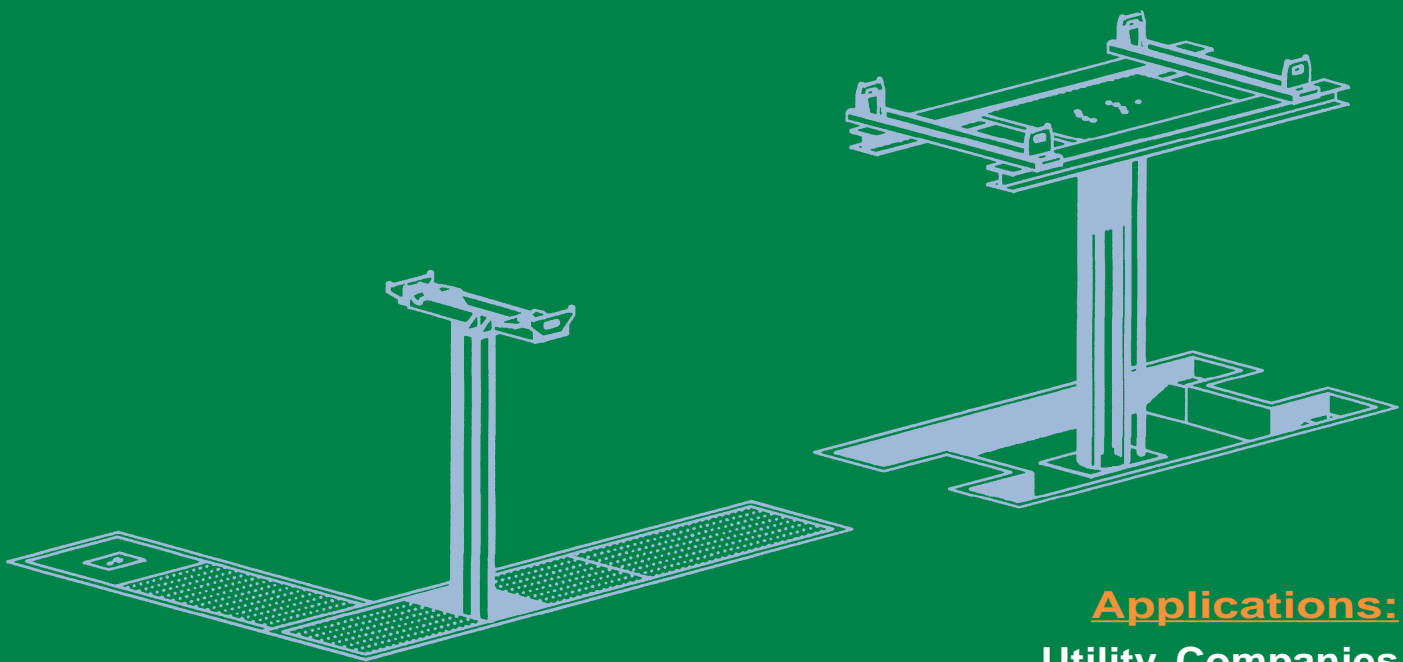
Fiberglass coat your cylinder components for added protection.

SVI Upgrade Number	Description
SV-9667-32FFG-L	Add Fiberglass Coating to the Front Cylinder Assembly
SV-9667-32FG-L	Add Fiberglass Coating to the Rear Cylinder Assembly



2P-105-IB

- Lifting capacity: 24,000 lbs., 12,000 front & 12,000 rear
- Axle engaging front saddle and adapters. I-Beam style rear superstructure equipped with adjustable saddles and adapters to engage vehicle axles, suspension or cross frame member.
- Adjustable front cylinder for various wheelbase lengths
- Air/hydraulic oil or biodegradable fluid operated
- Post diameters: 10-5/8" front & rear
- Displacement: 50 gallons
- Raised vehicle contact height above floor: 67" front & 69-3/4" rear based on standard adapters
- Multiple lip seal seal design for increased performance



Applications:

Utility Companies

Fleet Service Facilities

Municipal Garages

or wherever heavy-duty vehicle lifting is required

Power Post Lifting Systems

fastest, most
reliable and
economical method
for lifting



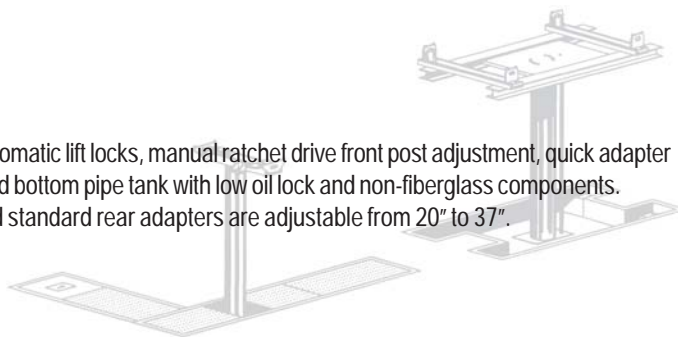
standards & options next page

Proven Lifting Technology

Specifications and Options

2P-105-IB Standard Equipment:

12 foot front frame (non-recessed), manual waist height release automatic lift locks, manual ratchet drive front post adjustment, quick adapter spotting devices, floor level dead-man style control valves, standard bottom pipe tank with low oil lock and non-fiberglass components. Standard front adapters adjust from 40-1/2" to 57-1/2" in width and standard rear adapters are adjustable from 20" to 37".



Your Easy Upgrade Options:

Front Frame Upgrades:

Additional front frame length for accommodating longer vehicle wheelbase lengths.

SVI Upgrade Number	Description	SVI Upgrade Number	Description
SV-9667-013-L	13' Front Frame	SV-9667-017-L	17' Front Frame
SV-9667-014-L	14' Front Frame	SV-9667-018-L	18' Front Frame
SV-9667-015-L	15' Front Frame		
SV-9667-016-L	16' Front Frame	Longer front frame lengths available per request	

Air Lock Upgrade:

Converts standard manual release locks to an air operated remote release multi-position lock assembly. This means your lift will lock in positions throughout the stroke rather than just at full stroke as with manual style locks. **To upgrade order SV-56-L**

Power Spot Upgrade:

Not available on this model.

Tank Upgrade:

Your choice of three upgrades. Add fiberglass coating or go to a top pipe style tank. Fiberglass coating protects your component from corrosion. Top pipe style tanks give installers easy access to fittings and helps periodic inspection.

SVI Upgrade Number	Description
SV-9804-1-L	Add Fiberglass Coating to the Standard Tank
SV-9804-2-L	Change the Standard Tank to a Top Pipe Tank
SV-9804-3-L	Add Fiberglass Coating and Change the Standard Tank to a Top Pipe Tank

Fiberglass Upgrade:

Fiberglass coat your cylinder components for added protection.

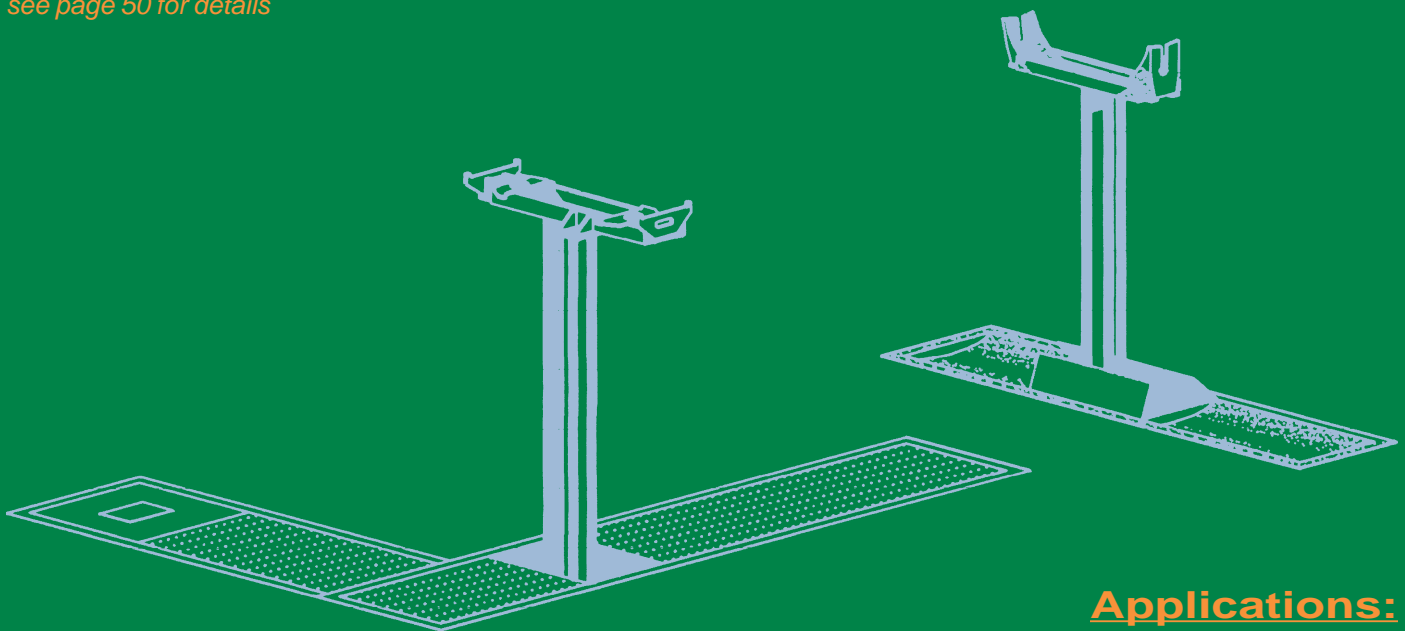
SVI Upgrade Number	Description
SV-9667-32FFG-L	Add Fiberglass Coating to the Front Cylinder Assembly
SV-9667-32DFG-L	Add Fiberglass Coating to the Rear Cylinder Assembly



2P-106*

- Lift Capacity @ 250 psi 36,000 lbs., 18,000 front & 18,000 rear
- Lift capacity: @ 350 psi 50,000 lbs., 25,000 front & 25,000 rear
- Single moveable front and single stationary rear
- Axle engaging
- Adjustable front cylinder for various wheelbase lengths
- Electric/hydraulic oil or Citgo "Aquamarine" oil operated
- Post diameters: 10-5/8" front & rear
- Displacement: 50 gallons
- Raised vehicle contact height above floor: 67" front & 69-3/4" rear based on standard adapters
- Multiple lip seal seal design for increased performance

* Requires a power unit
see page 50 for details



Applications:

Truck Dealerships

School Buses

Municipal Garages

or wherever heavy-duty vehicle lifting is required

Power Post Lifting Systems

fastest, most
reliable and
economical method
for lifting



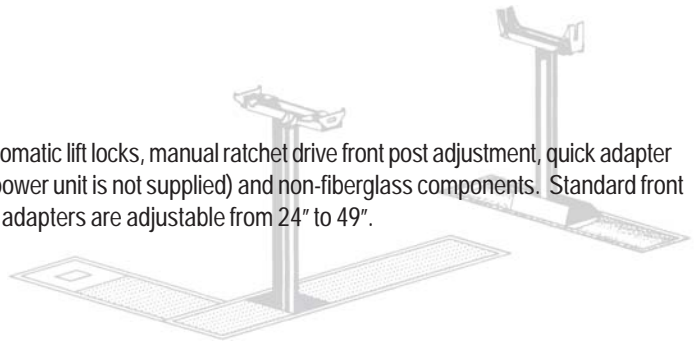
standards & options next page

Proven Lifting Technology

Specifications and Options

2P-106 Standard Equipment:

12 foot front frame (non-recessed), manual waist height release automatic lift locks, manual ratchet drive front post adjustment, quick adapter spotting devices, floor level dead-man style control valves, (note: power unit is not supplied) and non-fiberglass components. Standard front adapters adjust from 40-1/2" to 57-1/2" in width and standard rear adapters are adjustable from 24" to 49".



Your Easy Upgrade Options:

Front Frame Upgrades:

Additional front frame length for accommodating longer vehicle wheelbase lengths.

SVI Upgrade Number	Description	SVI Upgrade Number	Description
SV-9667-013-L	13' Front Frame	SV-9667-017-L	17' Front Frame
SV-9667-014-L	14' Front Frame	SV-9667-018-L	18' Front Frame
SV-9667-015-L	15' Front Frame		
SV-9667-016-L	16' Front Frame	Longer front frame lengths available per request	

Air Lock Upgrade:

Converts standard manual release locks to an air operated remote release multi-position lock assembly. This means your lift will lock in positions throughout the stroke rather than just at full stroke as with manual style locks. **To upgrade order SV-56-L**

Power Spot Upgrade:

Converts adjustment of front cylinder position from a manual ratchet system to an easy to operate hydraulic drive system. This means easy work for the lift operator when changing the lift to accommodate different wheelbase vehicles. **To upgrade order SV-32-L**

Fiberglass Upgrade:

Fiberglass coat your cylinder components for added protection.

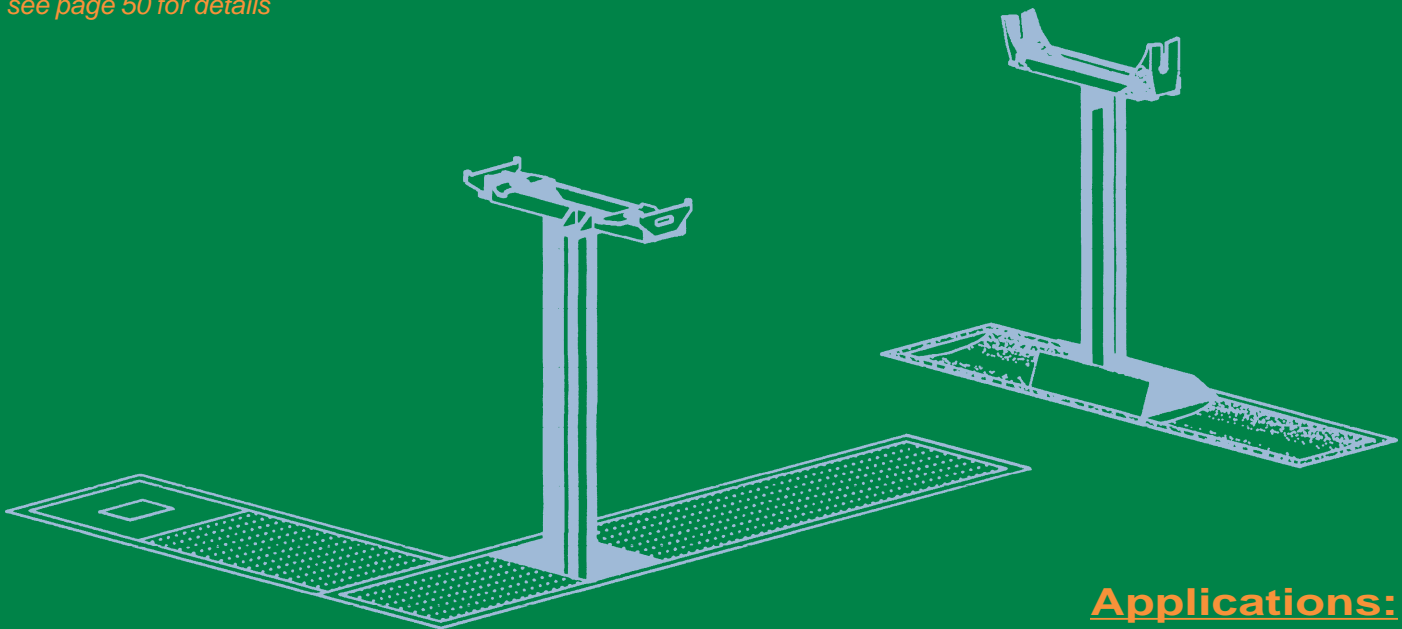
SVI Upgrade Number	Description
SV-9667-32FFG-L	Add Fiberglass Coating to the Front Cylinder Assembly
SV-9667-32FG-L	Add Fiberglass Coating to the Rear Cylinder Assembly



2P-106-M*

- Lift capacity: @ 250 psi 36,000 lbs., 18,000 front & 18,000 rear
- Lift capacity: @ 350 psi 50,000 lbs., 25,000 front & 25,000 rear
- Single moveable front and single stationary rear
- Axle engaging with modified narrow range rear saddle
- Adjustable front cylinder for various wheelbase lengths
- Electric/hydraulic oil or Citgo "Aquamarine" oil operated
- Post diameters: 10-5/8" front & rear
- Displacement: 50 gallons
- Raised vehicle contact height above floor: 67" front & 69-3/4" rear based on standard adapters
- Multiple lip seal seal design for increased performance

* Requires a power unit
see page 50 for details



Applications:

Truck Dealerships

School Buses

Municipal Garages

or wherever heavy-duty vehicle lifting is required

Power Post Lifting Systems

fastest, most
reliable and
economical method
for lifting



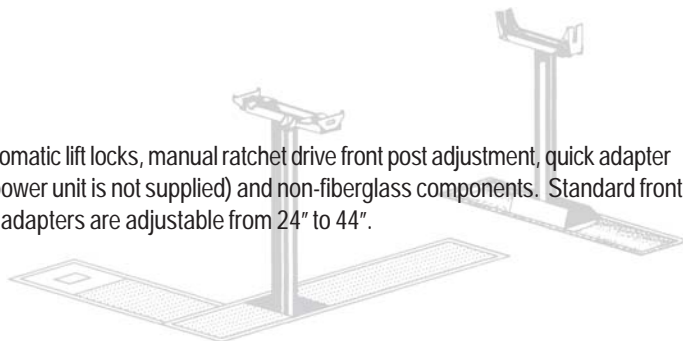
standards & options next page

Proven Lifting Technology

Specifications and Options

2P-106-M Standard Equipment:

12 foot front frame (non-recessed), manual waist height release automatic lift locks, manual ratchet drive front post adjustment, quick adapter spotting devices, floor level dead-man style control valves, (note: power unit is not supplied) and non-fiberglass components. Standard front adapters adjust from 40-1/2" to 57-1/2" in width and standard rear adapters are adjustable from 24" to 44".



Your Easy Upgrade Options:

Front Frame Upgrades:

Additional front frame length for accommodating longer vehicle wheelbase lengths.

SVI Upgrade Number	Description	SVI Upgrade Number	Description
SV-9667-013-L	13' Front Frame	SV-9667-017-L	17' Front Frame
SV-9667-014-L	14' Front Frame	SV-9667-018-L	18' Front Frame
SV-9667-015-L	15' Front Frame		
SV-9667-016-L	16' Front Frame	Longer front frame lengths available per request	

Air Lock Upgrade:

Converts standard manual release locks to an air operated remote release multi-position lock assembly. This means your lift will lock in positions throughout the stroke rather than just at full stroke as with manual style locks. **To upgrade order SV-56-L**

Power Spot Upgrade:

Converts adjustment of front cylinder position from a manual ratchet system to an easy to operate hydraulic drive system. This means easy work for the lift operator when changing the lift to accommodate different wheelbase vehicles. **To upgrade order SV-32-L**

Fiberglass Upgrade:

Fiberglass coat your cylinder components for added protection.

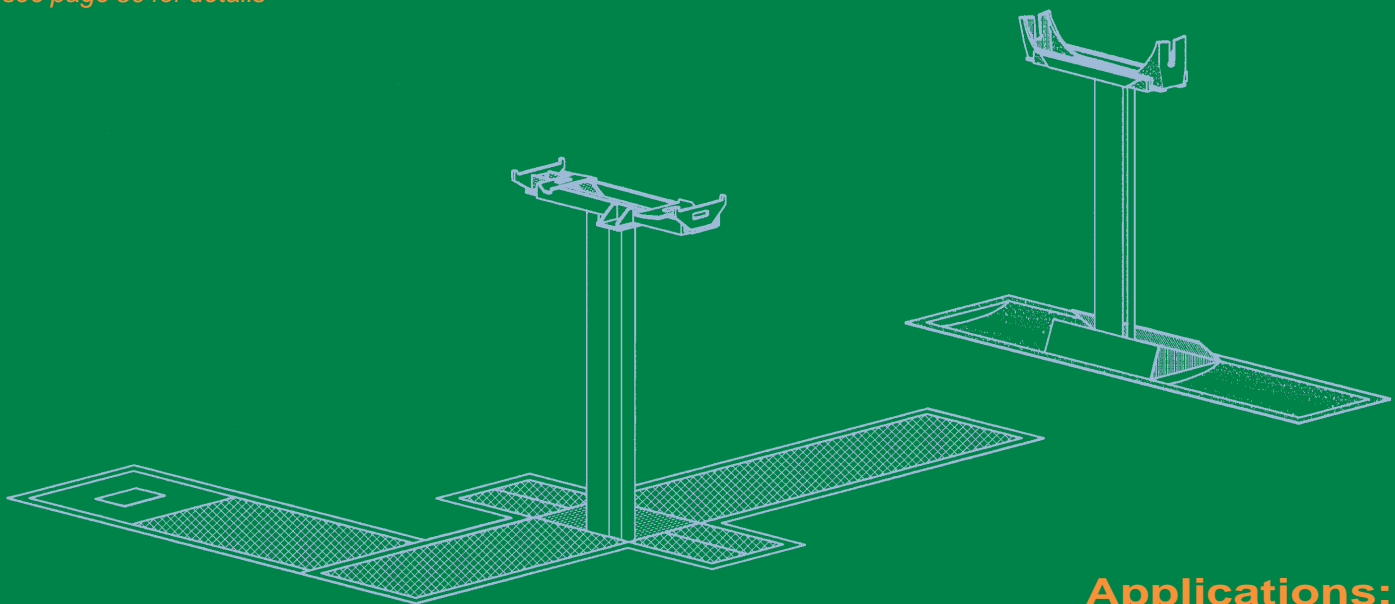
SVI Upgrade Number	Description
SV-9667-32FFG-L	Add Fiberglass Coating to the Front Cylinder Assembly
SV-9667-32FG-L	Add Fiberglass Coating to the Rear Cylinder Assembly



2P-106-RF*

- Lift Capacity @ 250 psi 36,000 lbs., 18,000 front & 18,000 rear
- Lift capacity: @ 350 psi 50,000 lbs., 25,000 front & 25,000 rear
- Single moveable recessed front and single stationary rear
- Axle engaging
- Adjustable front cylinder for various wheelbase lengths
- Electric/hydraulic oil or Citgo "Aquamarine" oil operated
- Post diameters: 10-5/8" front & rear
- Displacement: 50 gallons
- Raised vehicle contact height above floor: 67" front & 69-3/4" rear based on standard adapters
- Multiple lip seal seal design for increased performance

** Requires a power unit
see page 50 for details*



Applications:

Truck Dealerships

School Buses

Municipal Garages

or wherever heavy-duty vehicle lifting is required

Power Post Lifting Systems

fastest, most
reliable and
economical method
for lifting



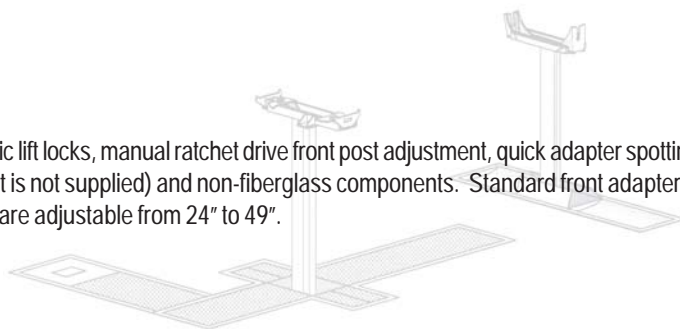
standards & options next page

Proven Lifting Technology

Specifications and Options

2P-106-RF Standard Equipment:

12 foot front frame (recessed), manual waist height release automatic lift locks, manual ratchet drive front post adjustment, quick adapter spotting devices, floor level dead-man style control valves, (note: power unit is not supplied) and non-fiberglass components. Standard front adapters adjust from 40-1/2" to 57-1/2" in width and standard rear adapters are adjustable from 24" to 49".



Your Easy Upgrade Options:

Front Frame Upgrades:

Additional front frame length for accommodating longer vehicle wheelbase lengths.

SVI Upgrade Number	Description	SVI Upgrade Number	Description
SV-9667-013-LR	13' Front Frame	SV-9667-017-LR	17' Front Frame
SV-9667-014-LR	14' Front Frame	SV-9667-018-LR	18' Front Frame
SV-9667-015-LR	15' Front Frame		
SV-9667-016-LR	16' Front Frame		Longer front frame lengths available per request

Air Lock Upgrade:

Converts standard manual release locks to an air operated remote release multi-position lock assembly. This means your lift will lock in positions throughout the stroke rather than just at full stroke as with manual style locks. **To upgrade order SV-56-L**

Power Spot Upgrade:

Converts adjustment of front cylinder position from a manual ratchet system to an easy to operate hydraulic drive system. This means easy work for the lift operator when changing the lift to accommodate different wheelbase vehicles. **To upgrade order SV-32-L-RF**

Fiberglass Upgrade:

Fiberglass coat your cylinder components for added protection.

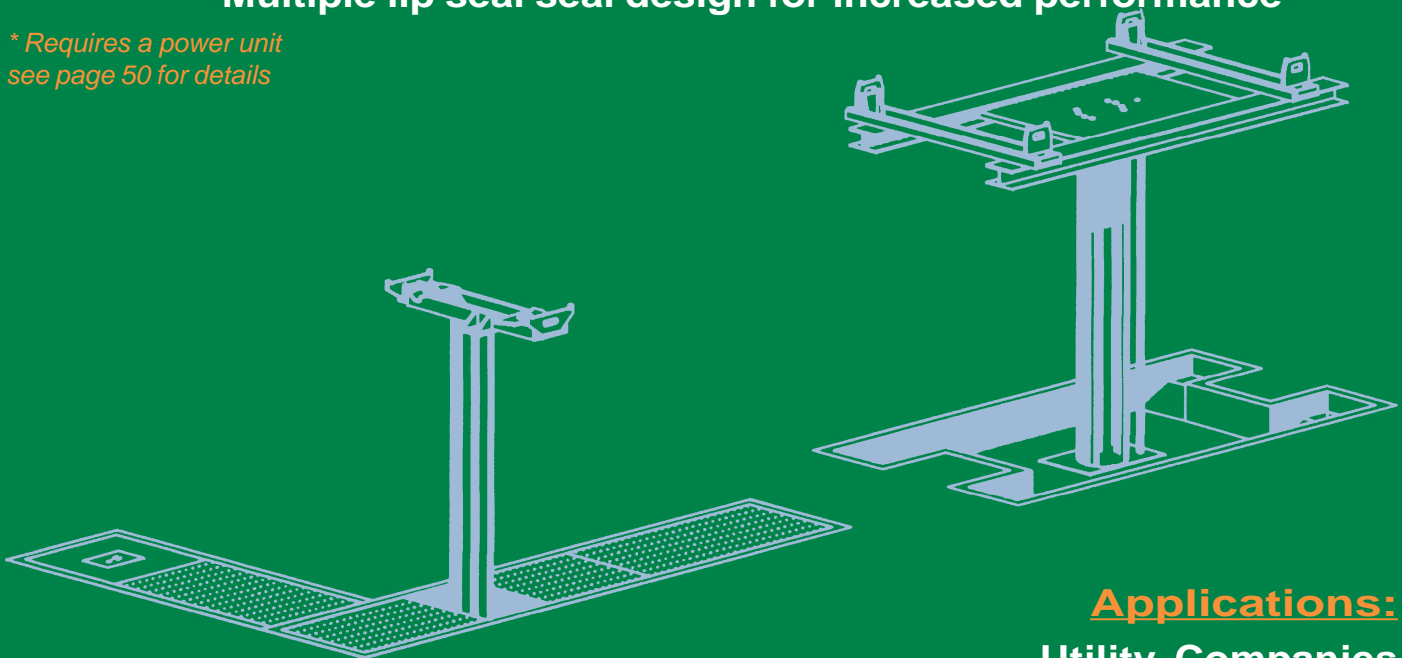
SVI Upgrade Number	Description
SV-9667-32FFG-L	Add Fiberglass Coating to the Front Cylinder Assembly
SV-9667-32FG-L	Add Fiberglass Coating to the Rear Cylinder Assembly



2P-106-IB*

- Lift capacity: @ 250 psi 36,000 lbs., 18,000 front & 18,000 rear
- Lift capacity: @ 350 psi 50,000 lbs., 25,000 front & 25,000 rear
- Axle engaging front saddle and adapters. I-Beam style rear superstructure equipped with adjustable saddles and adapters to engage vehicle axles, suspension or cross frame member.
- Adjustable front cylinder for various wheelbase lengths
- Electric/hydraulic oil or Citgo "Aquamarine" oil operated
- Post diameters: 10-5/8" front & rear
- Displacement: 50 gallons
- Raised vehicle contact height above floor: 67" front & 69-3/4" rear based on standard adapters
- Multiple lip seal seal design for increased performance

* Requires a power unit
see page 50 for details



Applications:

Utility Companies

Fleet Service Facilities

Municipal Garages

or wherever heavy-duty vehicle lifting is required

Power Post Lifting Systems

fastest, most
reliable and
economical method
for lifting



standards & options next page

Proven Lifting Technology

Specifications and Options

2P-106-IB Standard Equipment:

12 foot front frame (non-recessed), manual waist height release automatic lift locks, manual ratchet drive front post adjustment, quick adapter spotting devices, floor level dead-man style control valves, (note: power unit is not supplied) and non-fiberglass components. Standard front adapters adjust from 40-1/2" to 57-1/2" in width and standard rear adapters are adjustable from 20" to 37".

Your Easy Upgrade Options:

Front Frame Upgrades:

Additional front frame length for accommodating longer vehicle wheelbase lengths.

SVI Upgrade Number	Description	SVI Upgrade Number	Description
SV-9667-013-L	13' Front Frame	SV-9667-017-L	17' Front Frame
SV-9667-014-L	14' Front Frame	SV-9667-018-L	18' Front Frame
SV-9667-015-L	15' Front Frame		
SV-9667-016-L	16' Front Frame	Longer front frame lengths available per request	

Air Lock Upgrade:

Converts standard manual release locks to an air operated remote release multi-position lock assembly. This means your lift will lock in positions throughout the stroke rather than just at full stroke as with manual style locks. **To upgrade order SV-56-L**

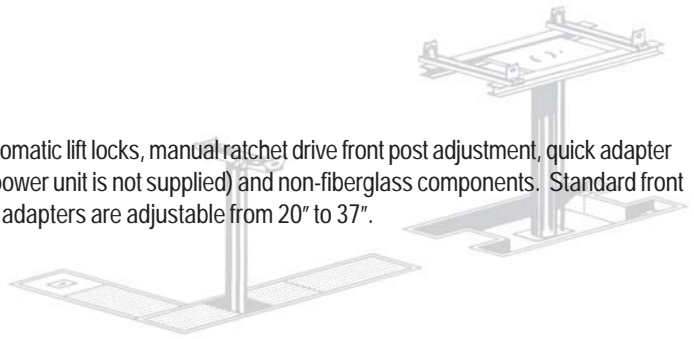
Power Spot Upgrade:

Converts adjustment of front cylinder position from a manual ratchet system to an easy to operate hydraulic drive system. This means easy work for the lift operator when changing the lift to accommodate different wheelbase vehicles. **To upgrade order SV-32-L**

Fiberglass Upgrade:

Fiberglass coat your front cylinder component for added protection. Rear cylinders are supplied standard with fiberglass protection.

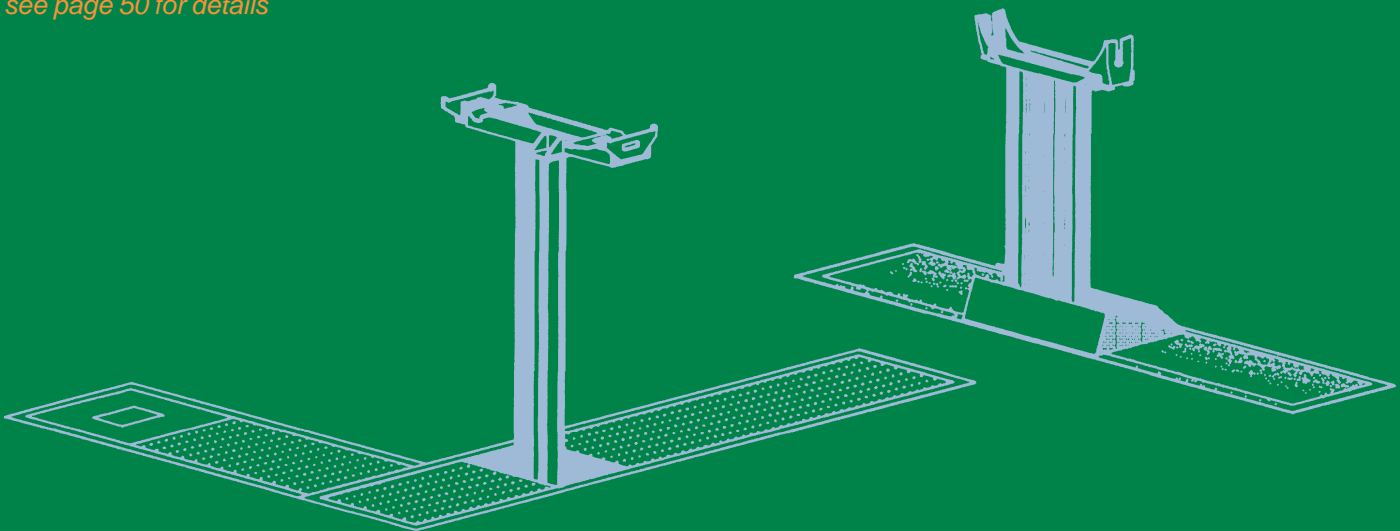
SVI Upgrade Number	Description
SV-9667-32FFG-L	Add Fiberglass Coating to the Front Cylinder Assembly
BH-9667-32-DFG-L	Add Fiberglass Coating to the Rear Cylinder Assembly



3P-106-DR*

- Lift capacity: @ 250 psi 54,000 lbs., 18,000 front & 36,000 rear
- Lift capacity: @ 350 psi 75,000 lbs., 25,000 front & 50,000 rear
- Single moveable front and dual stationary rear
- Axle engaging
- Adjustable front cylinder for various wheelbase lengths
- Electric/hydraulic oil or Citgo "Aquamarine" oil operated
- Post diameters: 10-5/8" front & (2) 10-5/8" rear
- Displacement: 75 gallons
- Raised vehicle contact height above floor: 67" front & 69-3/4" rear based on standard adapters
- Multiple lip seal seal design for increased performance

* Requires a power unit
see page 50 for details



Applications:

Utility Companies

Transit Authorities

Municipal Garages

or wherever heavy-duty vehicle lifting is required

Power Post Lifting Systems

fastest, most
reliable and
economical method
for lifting



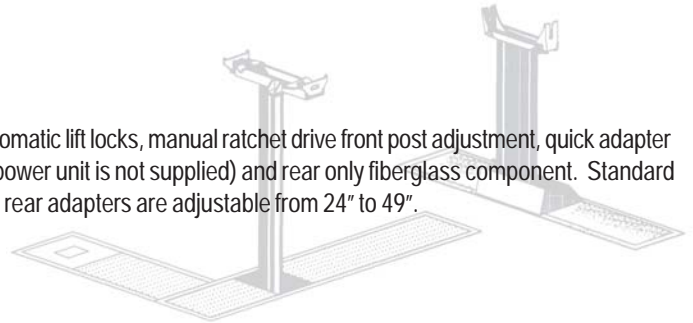
standards & options next page

Proven Lifting Technology

Specifications and Options

3P-106-DR Standard Equipment:

12 foot front frame (non-recessed), manual waist height release automatic lift locks, manual ratchet drive front post adjustment, quick adapter spotting devices, floor level dead-man style control valves, (note: power unit is not supplied) and rear only fiberglass component. Standard front adapters adjust from 40-1/2" to 57-1/2" in width and standard rear adapters are adjustable from 24" to 49".



Your Easy Upgrade Options:

Front Frame Upgrades:

Additional front frame length for accommodating longer vehicle wheelbase lengths.

SVI Upgrade Number	Description	SVI Upgrade Number	Description
SV-9667-013-L	13' Front Frame	SV-9667-017-L	17' Front Frame
SV-9667-014-L	14' Front Frame	SV-9667-018-L	18' Front Frame
SV-9667-015-L	15' Front Frame		
SV-9667-016-L	16' Front Frame	Longer front frame lengths available per request	

Air Lock Upgrade:

Converts standard manual release locks to an air operated remote release multi-position lock assembly. This means your lift will lock in positions throughout the stroke rather than just at full stroke as with manual style locks. **To upgrade order SV-56F/57-L**

Power Spot Upgrade:

Converts adjustment of front cylinder position from a manual ratchet system to an easy to operate hydraulic drive system. This means easy work for the lift operator when changing the lift to accommodate different wheelbase vehicles. **To upgrade order SV-32-L**

Fiberglass Upgrade:

Fiberglass coat your front cylinder component for added protection. Rear cylinders are supplied standard with fiberglass protection.

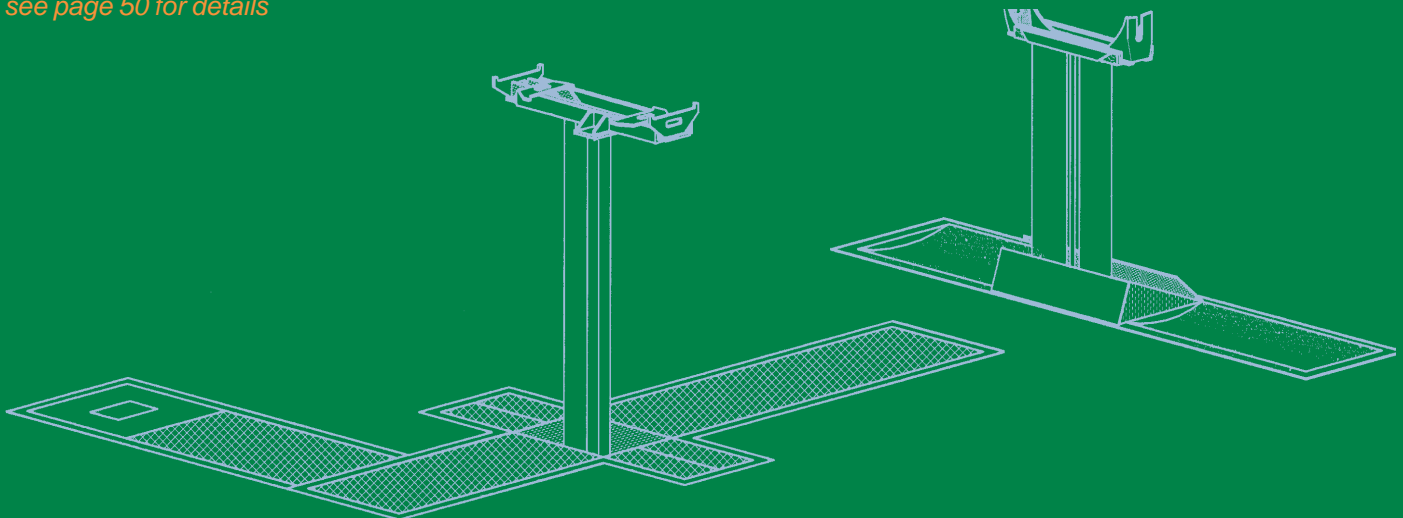
SVI Upgrade Number	Description
SV-9667-32FFG-L	Add Fiberglass Coating to the Front Cylinder Assembly



3P-106-DR-RF*

- Lift capacity: @ 250 psi 54,000 lbs., 18,000 front & 36,000 rear
- Lift capacity: @ 350 psi 75,000 lbs., 25,000 front & 50,000 rear
- Single moveable front and dual stationary rear
- Axle engaging
- Adjustable front cylinder for various wheelbase lengths
- Electric/hydraulic oil or Citgo "Aquamarine" oil operated
- Post diameters: 10-5/8" front & (2) 10-5/8" rear
- Displacement: 75 gallons
- Raised vehicle contact height above floor: 67" front & 69-3/4" rear based on standard adapters
- Multiple lip seal seal design for increased performance

* Requires a power unit
see page 50 for details



Applications:

Utility Companies
Transit Authorities
Municipal Garages

or wherever heavy-duty vehicle lifting is required

Power Post Lifting Systems

fastest, most
reliable and
economical method
for lifting



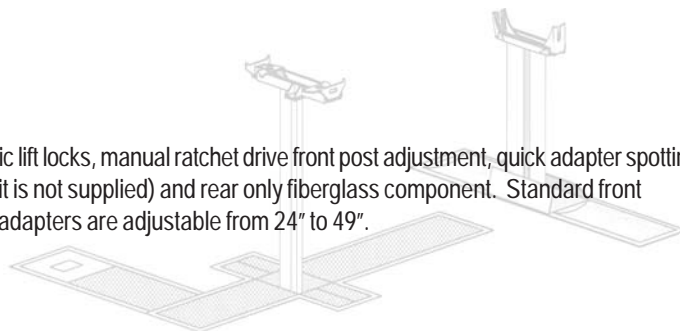
standards & options next page

Proven Lifting Technology

Specifications and Options

3P-106-DR-RF Standard Equipment:

12 foot front frame (recessed), manual waist height release automatic lift locks, manual ratchet drive front post adjustment, quick adapter spotting devices, floor level dead-man style control valves, (note: power unit is not supplied) and rear only fiberglass component. Standard front adapters adjust from 40-1/2" to 57-1/2" in width and standard rear adapters are adjustable from 24" to 49".



Your Easy Upgrade Options:

Front Frame Upgrades:

Additional front frame length for accommodating longer vehicle wheelbase lengths.

SVI Upgrade Number	Description	SVI Upgrade Number	Description
SV-9667-013-LR	13' Front Frame	SV-9667-017-LR	17' Front Frame
SV-9667-014-LR	14' Front Frame	SV-9667-018-LR	18' Front Frame
SV-9667-015-LR	15' Front Frame		
SV-9667-016-LR	16' Front Frame	Longer front frame lengths available per request	

Air Lock Upgrade:

Converts standard manual release locks to an air operated remote release multi-position lock assembly. This means your lift will lock in positions throughout the stroke rather than just at full stroke as with manual style locks. **To upgrade order SV-56F/57-L**

Power Spot Upgrade:

Converts adjustment of front cylinder position from a manual ratchet system to an easy to operate hydraulic drive system. This means easy work for the lift operator when changing the lift to accommodate different wheelbase vehicles. **To upgrade order SV-32-L-RF**

Fiberglass Upgrade:

Fiberglass coat your front cylinder component for added protection. Rear cylinders are supplied standard with fiberglass protection.

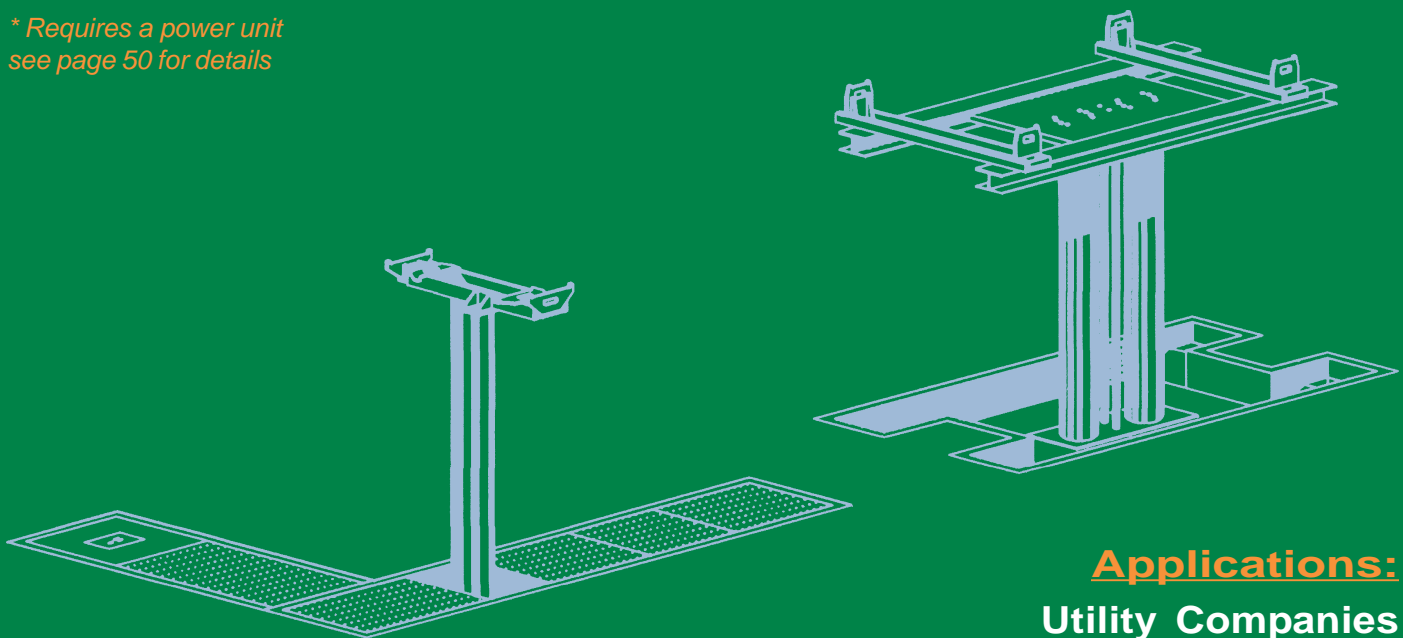
SVI Upgrade Number	Description
SV-9667-32FFG-L	Add Fiberglass Coating to the Front Cylinder Assembly



3P-106-DR-IB*

- Lift capacity: @ 250 psi 54,000 lbs., 18,000 front & 36,000 rear
- Lift capacity: @ 350 psi 75,000 lbs., 25,000 front & 50,000 rear
- Axle engaging front saddle and adapters. I-Beam style dual rear superstructure equipped with adjustable saddles and adapters to engage vehicle axles, suspension or cross frame members.
- Adjustable front cylinder for various wheelbase lengths
- Electric/hydraulic oil or Citgo "Aquamarine" oil operated
- Post diameters: 10-5/8" front & (2) 10-5/8" rear
- Displacement: 75 gallons
- Raised vehicle contact height above floor: 67" front & 69-3/4" rear based on standard adapters
- Multiple lip seal seal design for increased performance

* Requires a power unit
see page 50 for details



Applications:

Utility Companies

Transit Authorities

Municipal Garages

or wherever heavy-duty vehicle lifting is required

Power Post Lifting Systems

fastest, most
reliable and
economical method
for lifting



standards & options next page

Proven Lifting Technology

Specifications and Options

3P-106-DR-IB Standard Equipment:

12 foot front frame (non-recessed), manual waist height release automatic lift locks, manual ratchet drive front post adjustment, quick adapter spotting devices, floor level dead-man style control valves, (note: power unit is not supplied) and rear only fiberglass component. Standard front adapters adjust from 40-1/2" to 57-1/2" in width and standard rear adapters are adjustable from 24" to 44".

Your Easy Upgrade Options:

Front Frame Upgrades:

Additional front frame length for accommodating longer vehicle wheelbase lengths.

SVI Upgrade Number	Description	SVI Upgrade Number	Description
SV-9667-013-L	13' Front Frame	SV-9667-017-L	17' Front Frame
SV-9667-014-L	14' Front Frame	SV-9667-018-L	18' Front Frame
SV-9667-015-L	15' Front Frame		
SV-9667-016-L	16' Front Frame	Longer front frame lengths available per request	

Air Lock Upgrade:

Converts standard manual release locks to an air operated remote release multi-position lock assembly. This means your lift will lock in positions throughout the stroke rather than just at full stroke as with manual style locks. **To upgrade order SV-56F/57-L**

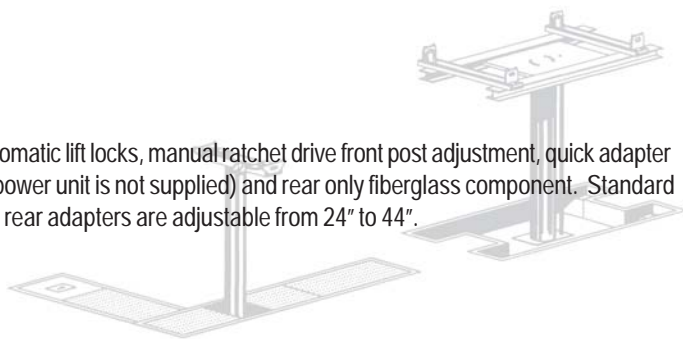
Power Spot Upgrade:

Converts adjustment of front cylinder position from a manual ratchet system to an easy to operate hydraulic drive system. This means easy work for the lift operator when changing the lift to accommodate different wheelbase vehicles. **To upgrade order SV-32-L**

Fiberglass Upgrade:

Fiberglass coat your front cylinder component for added protection. Rear cylinders are supplied standard with fiberglass protection.

SVI Upgrade Number	Description
SV-9667-32FFG-L	Add Fiberglass Coating to the Front Cylinder Assembly

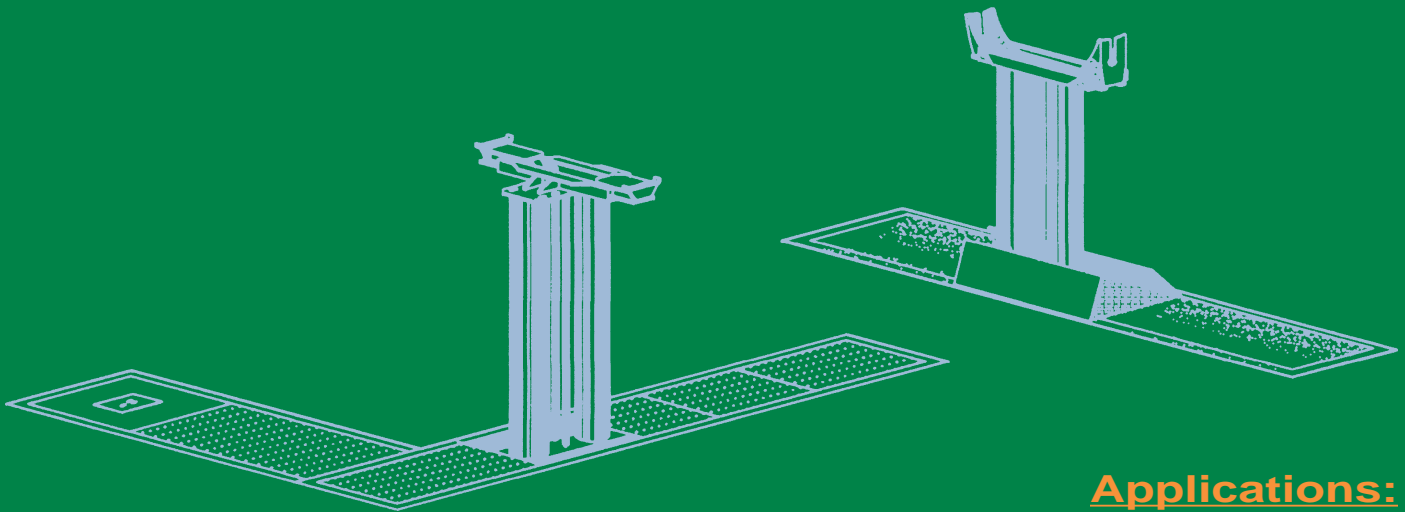


Proven Lifting Solutions

4P-106*

- Lift capacity: @ 250 psi 72,000 lbs., 36,000 front & 36,000 rear
- Lift capacity: @ 350 psi 100,000 lbs., 50,000 front & 50,000 rear
- dual moveable front and dual stationary rear
- Axle engaging
- Adjustable front cylinder for various wheelbase lengths
- Electric/hydraulic oil or Citgo "Aquamarine" oil operated
- Post diameters: (2) 10-5/8" front & (2) 10-5/8" rear
- Displacement: 100 gallons
- Raised vehicle contact height above floor: 67" front & 69-3/4" rear based on standard adapters
- Multiple lip seal seal design for increased performance

* Requires a power unit
see page 50 for details



Applications:

Airports

Fire Departments

Utility Companies

Transit Authorities

Municipal Garages

or wherever heavy-duty vehicle lifting is required

Power Post Lifting Systems

fastest, most
reliable and
economical method
for lifting



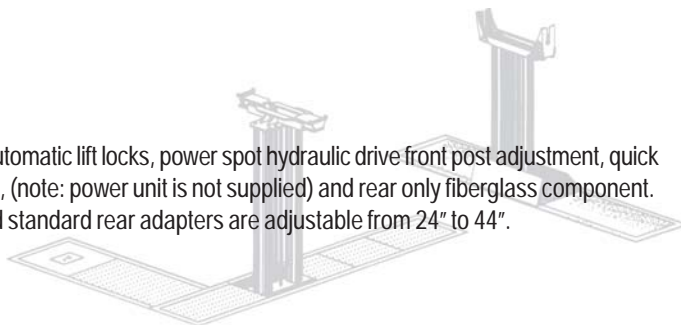
standards & options next page

Proven Lifting Technology

Specifications and Options

4P-106 Standard Equipment:

12 foot front frame (non-recessed), remote release multi-position automatic lift locks, power spot hydraulic drive front post adjustment, quick adapter spotting devices, floor level dead-man style control valves, (note: power unit is not supplied) and rear only fiberglass component. Standard front adapters adjust from 40-1/2" to 57-1/2" in width and standard rear adapters are adjustable from 24" to 44".



Your Easy Upgrade Options:

Front Frame Upgrades:

Additional front frame length for accommodating longer vehicle wheelbase lengths.

SVI Upgrade Number	Description	SVI Upgrade Number	Description
SV-9667-013-L	13' Front Frame	SV-9667-017-L	17' Front Frame
SV-9667-014-L	14' Front Frame	SV-9667-018-L	18' Front Frame
SV-9667-015-L	15' Front Frame		
SV-9667-016-L	16' Front Frame	Longer front frame lengths available per request	

Air Lock Upgrade:

Standard equipment

Power Spot Upgrade:

Standard equipment

Fiberglass Upgrade:

Fiberglass coat your front cylinder component for added protection. Rear cylinders are supplied standard with fiberglass protection.

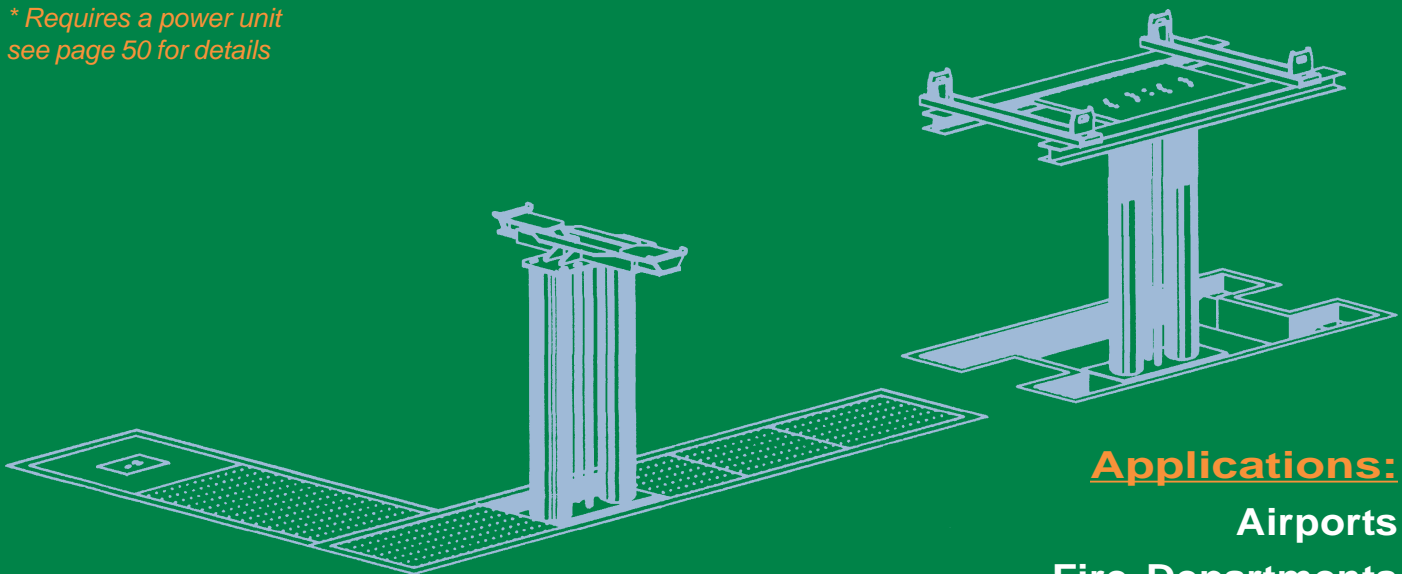
SVI Upgrade Number	Description
SV-9674-85FG-L	Add Fiberglass Coating to the Front Cylinder Assembly



4P-106-IB*

- Lift capacity: @ 250 psi 72,000 lbs., 36,000 front & 36,000 rear
- Lift capacity: @ 350 psi 100,000 lbs., 50,000 front & 50,000 rear
- Axle engaging front saddle and adapters. I-Beam style rear superstructure equipped with adjustable saddles and adapters to engage vehicle axles, suspension or cross frame member.
- Adjustable front cylinder for various wheelbase lengths
- Electric/hydraulic oil or Citgo "Aquamarine" oil operated
- Post diameters: (2) 10-5/8" front & (2) 10-5/8" rear
- Displacement: 100 gallons
- Raised vehicle contact height above floor: 67" front & 69-3/4" rear based on standard adapters
- Multiple lip seal seal design for increased performance

* Requires a power unit
see page 50 for details



Applications:

Airports
Fire Departments
Utility Companies
Transit Authorities
Municipal Garages

or wherever heavy-duty vehicle lifting is required

Power Post Lifting Systems

fastest, most
reliable and
economical method
for lifting



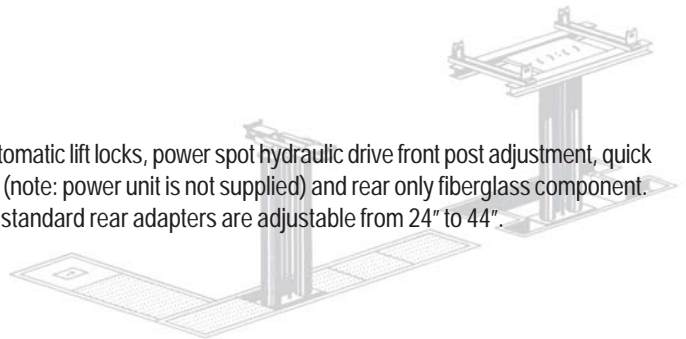
standards & options next page

Proven Lifting Technology

Specifications and Options

4P-106-IB Standard Equipment:

12 foot front frame (non-recessed), remote release multi-position automatic lift locks, power spot hydraulic drive front post adjustment, quick adapter spotting devices, floor level dead-man style control valves, (note: power unit is not supplied) and rear only fiberglass component. Standard front adapters adjust from 40-1/2" to 57-1/2" in width and standard rear adapters are adjustable from 24" to 44".



Your Easy Upgrade Options:

Front Frame Upgrades:

Additional front frame length for accommodating longer vehicle wheelbase lengths.

SVI Upgrade Number	Description	SVI Upgrade Number	Description
SV-9667-013-L	13' Front Frame	SV-9667-017-L	17' Front Frame
SV-9667-014-L	14' Front Frame	SV-9667-018-L	18' Front Frame
SV-9667-015-L	15' Front Frame		
SV-9667-016-L	16' Front Frame	Longer front frame lengths available per request	

Air Lock Upgrade:

Standard equipment

Power Spot Upgrade:

Standard equipment

Fiberglass Upgrade:

Fiberglass coat your front cylinder component for added protection. Rear cylinders are supplied standard with fiberglass protection.

SVI Upgrade Number	Description
SV-9674-85FG-L	Add Fiberglass Coating to the Front Cylinder Assembly

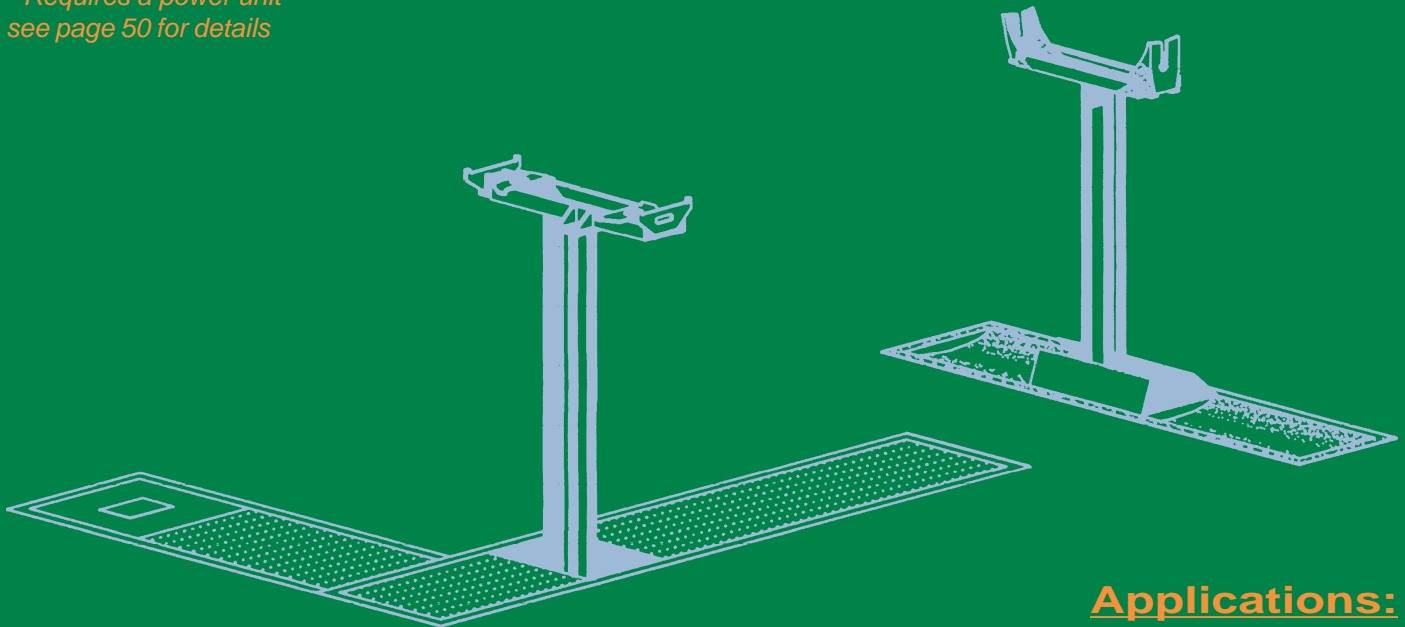


Proven Lifting Solutions

2P-1012*

- Lift capacity: @ 250 psi 43,000 lbs., 18,000 front & 25,000 rear
- Lift capacity: @ 350 psi 60,000 lbs., 25,000 front & 35,000 rear
- Single moveable front and single stationary rear
- Axle engaging
- Adjustable front cylinder for various wheelbase lengths
- Electric/hydraulic oil or Citgo "Aquamarine" oil operated
- Post diameters: 10-5/8" front & 12-5/8" rear
- Displacement: 63 gallons
- Raised vehicle contact height above floor: 67" front & 69-3/4" rear based on standard adapters
- Multiple lip seal seal design for increased performance

* Requires a power unit
see page 50 for details



Applications:

Utility Companies

Transit Authorities

Municipal Garages

or wherever heavy-duty vehicle lifting is required

Power Post Lifting Systems

fastest, most
reliable and
economical method
for lifting



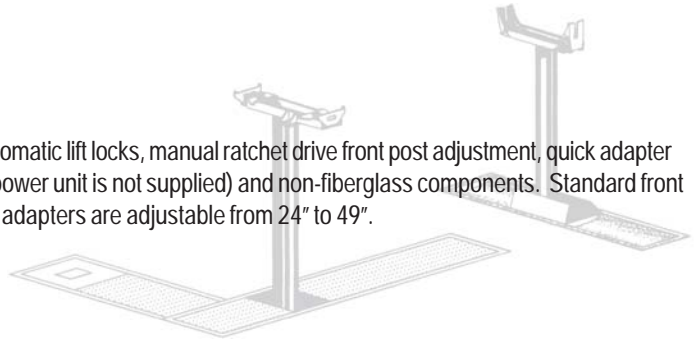
standards & options next page

Proven Lifting Technology

Specifications and Options

2P-1012 Standard Equipment:

12 foot front frame (non-recessed), manual waist height release automatic lift locks, manual ratchet drive front post adjustment, quick adapter spotting devices, floor level dead-man style control valves, (note: power unit is not supplied) and non-fiberglass components. Standard front adapters adjust from 40-1/2" to 57-1/2" in width and standard rear adapters are adjustable from 24" to 49".



Your Easy Upgrade Options:

Front Frame Upgrades:

Additional front frame length for accommodating longer vehicle wheelbase lengths.

SVI Upgrade Number	Description	SVI Upgrade Number	Description
SV-9667-013-L	13' Front Frame	SV-9667-017-L	17' Front Frame
SV-9667-014-L	14' Front Frame	SV-9667-018-L	18' Front Frame
SV-9667-015-L	15' Front Frame		
SV-9667-016-L	16' Front Frame	Longer front frame lengths available per request	

Air Lock Upgrade:

Converts standard manual release locks to an air operated remote release multi-position lock assembly. This means your lift will lock in positions throughout the stroke rather than just at full stroke as with manual style locks. **To upgrade order SV-56F/06C-L**

Power Spot Upgrade:

Converts adjustment of front cylinder position from a manual ratchet system to an easy to operate hydraulic drive system. This means easy work for the lift operator when changing the lift to accommodate different wheelbase vehicles. **To upgrade order SV-32-L**

Fiberglass Upgrade:

Fiberglass coat your cylinder components for added protection.

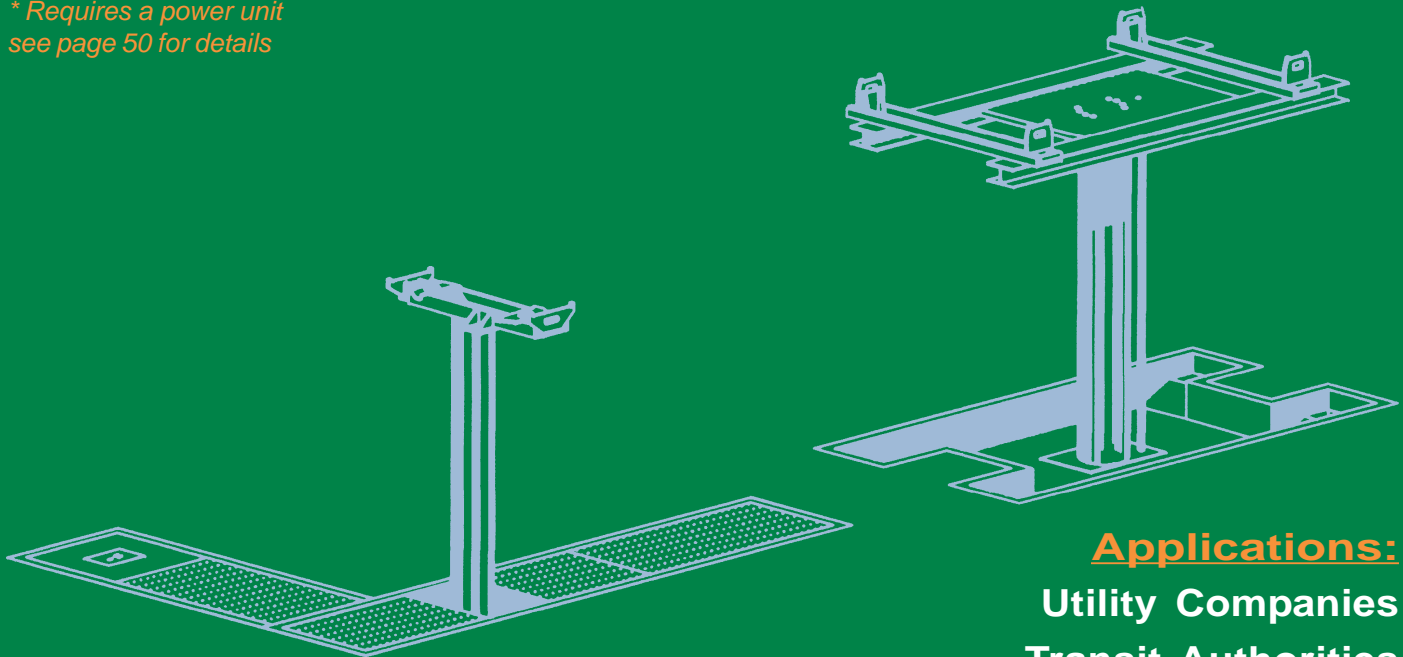
SVI Upgrade Number	Description
SV-9667-32FFG-L	Add Fiberglass Coating to the Front Cylinder Assembly
SV-9673-012FG-L	Add Fiberglass Coating to the Rear Cylinder Assembly



2P-1012-IB*

- Lift capacity: @ 250 psi 43,000 lbs., 18,000 front & 25,000 rear
- Lift capacity: @ 350 psi 60,000 lbs., 25,000 front & 35,000 rear
- Single moveable front and single stationary rear
- Axle engaging front saddle and adapters. I-Beam style rear superstructure equipped with adjustable saddles and adapters to engage vehicle axles, suspension or cross frame member.
- Adjustable front cylinder for various wheelbase lengths
- Electric/hydraulic oil or Citgo "Aquamarine" oil operated
- Post diameters: 10-5/8" front & 12-5/8" rear
- Displacement: 63 gallons
- Raised vehicle contact height above floor: 67" front & 69-3/4" rear based on standard adapters
- Multiple lip seal seal design for increased performance

* Requires a power unit
see page 50 for details



Applications:

Utility Companies
Transit Authorities
Municipal Garages

or wherever heavy-duty vehicle lifting is required

Power Post Lifting Systems

fastest, most
reliable and
economical method
for lifting



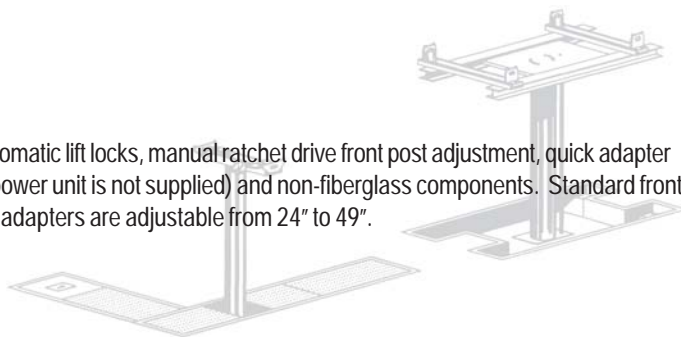
standards & options next page

Proven Lifting Technology

Specifications and Options

2P-1012IB Standard Equipment:

12 foot front frame (non-recessed), manual waist height release automatic lift locks, manual ratchet drive front post adjustment, quick adapter spotting devices, floor level dead-man style control valves, (note: power unit is not supplied) and non-fiberglass components. Standard front adapters adjust from 40-1/2" to 57-1/2" in width and standard rear adapters are adjustable from 24" to 49".



Your Easy Upgrade Options:

Front Frame Upgrades:

Additional front frame length for accommodating longer vehicle wheelbase lengths.

SVI Upgrade Number	Description	SVI Upgrade Number	Description
SV-9667-013-L	13' Front Frame	SV-9667-017-L	17' Front Frame
SV-9667-014-L	14' Front Frame	SV-9667-018-L	18' Front Frame
SV-9667-015-L	15' Front Frame		
SV-9667-016-L	16' Front Frame	Longer front frame lengths available per request	

Air Lock Upgrade:

Converts standard manual release locks to an air operated remote release multi-position lock assembly. This means your lift will lock in positions throughout the stroke rather than just at full stroke as with manual style locks. **To upgrade order SV-56F/06C-L**

Power Spot Upgrade:

Converts adjustment of front cylinder position from a manual ratchet system to an easy to operate hydraulic drive system. This means easy work for the lift operator when changing the lift to accommodate different wheelbase vehicles. **To upgrade order SV-32-L**

Fiberglass Upgrade:

Fiberglass coat your cylinder components for added protection.

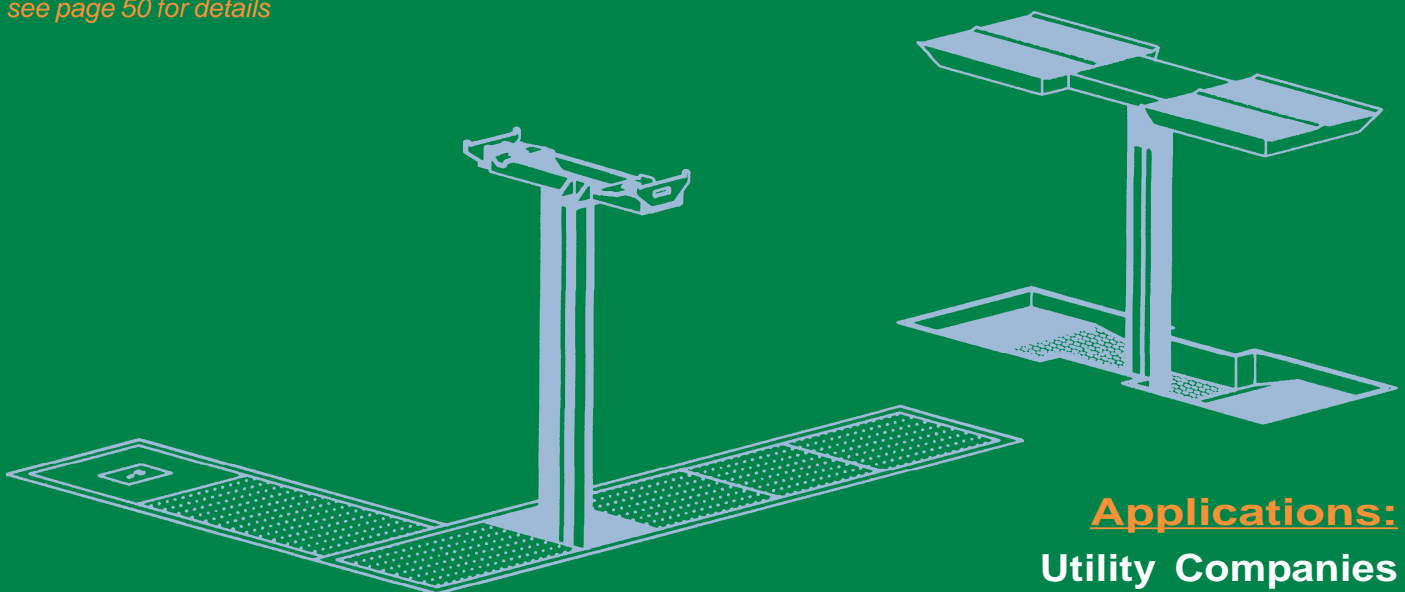
SVI Upgrade Number	Description
SV-9667-32FFG-L	Add Fiberglass Coating to the Front Cylinder Assembly
SV-9673-012FG-L	Add Fiberglass Coating to the Rear Cylinder Assembly



2P-1012-DDWS*

- Lift capacity: @ 250 psi 43,000 lbs., 18,000 front & 25,000 rear
- Lift capacity: @ 350 psi 60,000 lbs., 25,000 front & 35,000 rear
- Single moveable front and single stationary rear
- Axle engaging front saddle and adapters and dual dish rear wheel support.
- Adjustable front cylinder for various wheelbase lengths
- Electric/hydraulic oil or Citgo "Aquamarine" oil operated
- Post diameters: 10-5/8" front & 12-5/8" rear
- Displacement: 63 gallons
- Raised vehicle contact height above floor: 67" front & 69-3/4" rear based on standard adapters
- Multiple lip seal seal design for increased performance

* Requires a power unit
see page 50 for details



Applications:

Utility Companies
Transit Authorities
Municipal Garages

or wherever heavy-duty vehicle lifting is required

Power Post Lifting Systems

fastest, most
reliable and
economical method
for lifting



standards & options next page

Proven Lifting Technology

Specifications and Options

2P-1012-DDWS Standard Equipment:

12 foot front frame (non-recessed), manual waist height release automatic lift locks, manual ratchet drive front post adjustment, quick adapter spotting devices, floor level dead-man style control valves, (note: power unit is not supplied) and non-fiberglass components. Standard front adapters adjust from 40-1/2" to 57-1/2" in width and rear is fixed dual dish wheel support 11" wide.



Your Easy Upgrade Options:

Front Frame Upgrades:

Additional front frame length for accommodating longer vehicle wheelbase lengths.

SVI Upgrade Number	Description	SVI Upgrade Number	Description
SV-9667-013-L	13' Front Frame	SV-9667-017-L	17' Front Frame
SV-9667-014-L	14' Front Frame	SV-9667-018-L	18' Front Frame
SV-9667-015-L	15' Front Frame		
SV-9667-016-L	16' Front Frame	Longer front frame lengths available per request	

Air Lock Upgrade:

Converts standard manual release locks to an air operated remote release multi-position lock assembly. This means your lift will lock in positions throughout the stroke rather than just at full stroke as with manual style locks. **To upgrade order SV-56F/06C-L**

Power Spot Upgrade:

Converts adjustment of front cylinder position from a manual ratchet system to an easy to operate hydraulic drive system. This means easy work for the lift operator when changing the lift to accommodate different wheelbase vehicles. **To upgrade order SV-32-L**

Fiberglass Upgrade:

Fiberglass coat your cylinder components for added protection.

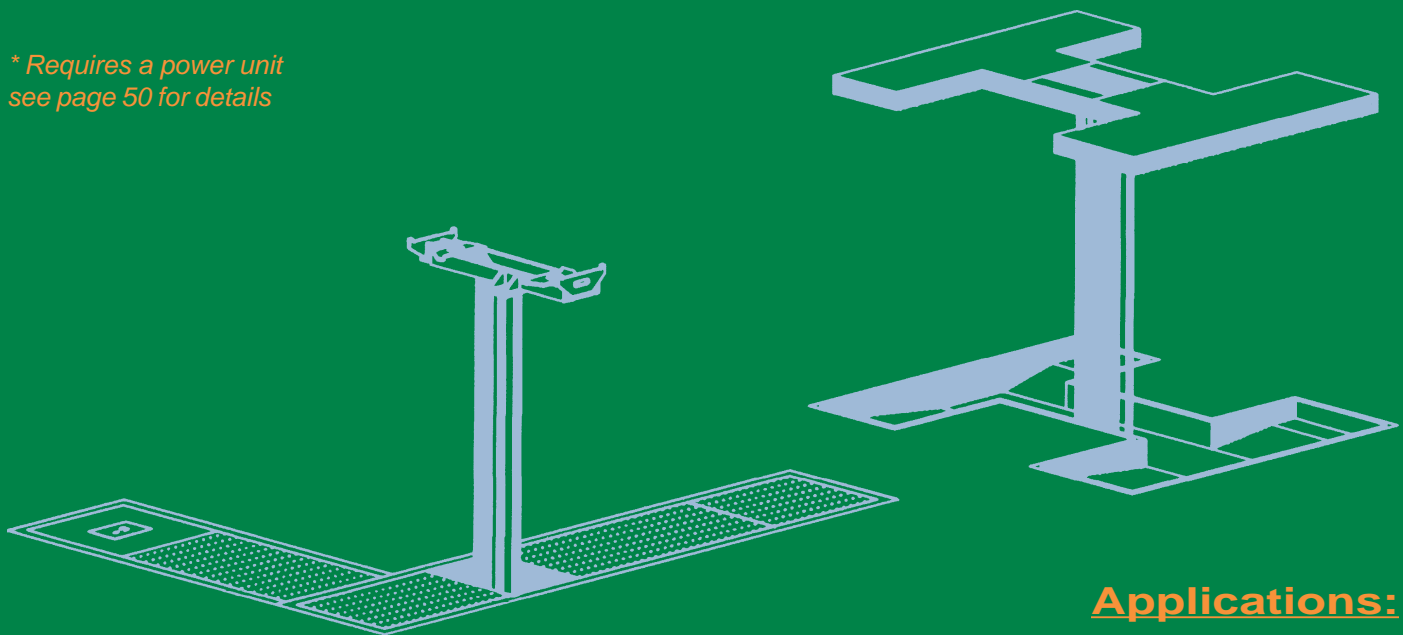
SVI Upgrade Number	Description
SV-9667-32FFG-L	Add Fiberglass Coating to the Front Cylinder Assembly
SV-9673-012DFG-L	Add Fiberglass Coating to the Rear Cylinder Assembly



2P-1012-DOR*

- Lift capacity: @ 250 psi 43,000 lbs., 18,000 front & 25,000 rear
- Lift capacity: @ 350 psi 60,000 lbs., 25,000 front & 35,000 rear
- Single moveable front and single stationary rear
- Axle engaging front saddle and adapters and platform style rear drive on runway.wheel support.
- Adjustable front cylinder for various wheelbase lengths
- Electric/hydraulic oil or Citgo "Aquamarine" oil operated
- Post diameters: 10-5/8" front & 12-5/8" rear
- Displacement: 63 gallons
- Raised vehicle contact height above floor: 67" front & 69-3/4" rear based on standard adapters
- Multiple lip seal seal design for increased performance

* Requires a power unit
see page 50 for details



Applications:

Utility Companies
Transit Authorities
Municipal Garages

or wherever heavy-duty vehicle lifting is required

Power Post Lifting Systems

fastest, most
reliable and
economical method
for lifting



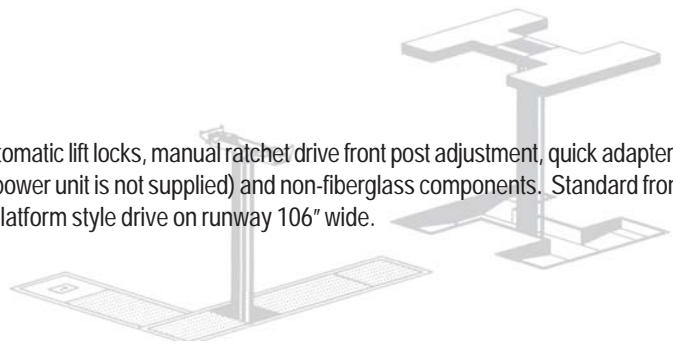
standards & options next page

Proven Lifting Technology

Specifications and Options

2P-1012-DOR Standard Equipment:

12 foot front frame (non-recessed), manual waist height release automatic lift locks, manual ratchet drive front post adjustment, quick adapter spotting devices, floor level dead-man style control valves, (note: power unit is not supplied) and non-fiberglass components. Standard front adapters adjust from 40-1/2" to 57-1/2" in width and rear is fixed platform style drive on runway 106" wide.



Your Easy Upgrade Options:

Front Frame Upgrades:

Additional front frame length for accommodating longer vehicle wheelbase lengths.

SVI Upgrade Number	Description	SVI Upgrade Number	Description
SV-9667-013-L	13' Front Frame	SV-9667-017-L	17' Front Frame
SV-9667-014-L	14' Front Frame	SV-9667-018-L	18' Front Frame
SV-9667-015-L	15' Front Frame		
SV-9667-016-L	16' Front Frame	Longer front frame lengths available per request	

Air Lock Upgrade:

Converts standard manual release locks to an air operated remote release multi-position lock assembly. This means your lift will lock in positions throughout the stroke rather than just at full stroke as with manual style locks. **To upgrade order SV-56F/06C-L**

Power Spot Upgrade:

Converts adjustment of front cylinder position from a manual ratchet system to an easy to operate hydraulic drive system. This means easy work for the lift operator when changing the lift to accommodate different wheelbase vehicles. **To upgrade order SV-32-L**

Fiberglass Upgrade:

Fiberglass coat your cylinder components for added protection.

SVI Upgrade Number	Description
SV-9667-32FFG-L	Add Fiberglass Coating to the Front Cylinder Assembly
SV-9673-012DFG-L	Add Fiberglass Coating to the Rear Cylinder Assembly



Proven Lifting Technology

Power Post Information

Electric Hydraulic Power Units

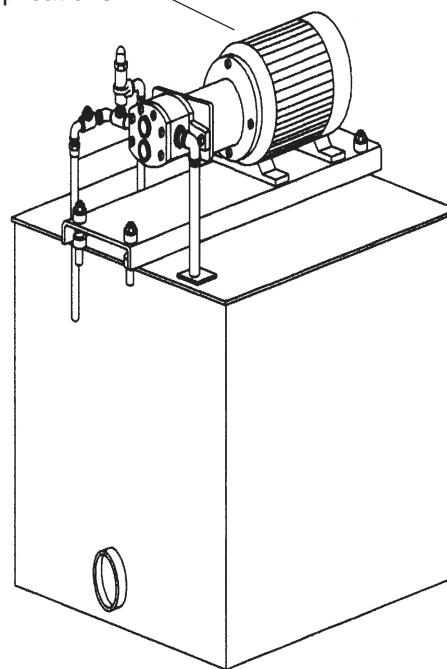
Electric motors available in either 7-1/2 HP for 250 psi or 10 HP for 350 psi capacity applications.

Power Units:

SVI Number Description

SV-60-1	Power Unit - Complete 60 Gallon Capacity
SV-61-1	Power Unit - Complete 120 Gallon Capacity
SV-62-1	Power Unit - Complete 170 Gallon Capacity

Includes: 40 G.P.M. Gear Pump, By Pass Regulating Valve and "C" Flange Mounting and 208-230/460V 3Ø TEFC Electric Motor.



CITGO AQUAMARINE® OILS

Environmentally Acceptable Lubricants

Description

Aquamarine oils are high performance, anti-wear hydraulic lubricants, designed for use in the pumps and gears of hydraulic equipment operating in environmentally sensitive areas. These premium lubricants are non-toxic, inherently biodegradable and easily recycled.

Qualities

- Aromatic-free, pass U.S. Coast Guard Static Sheen Test - will not leave a sheen on the water.
- Pass U.S. EPA LC-50 salt water and fresh water 10,000+ hour ASTM D 943 TOST Oxidation Life Test.
- State-of -the-art, ashless, non-zinc anti-wear additives provide maximum wear protection for pump components.
- Formulated with food grade White Mineral Oil. (THIS IS NOT VEGETABLE OIL AND WILL NOT TURN RANCID)
- Easily recycled.

Applications

- Vane, piston and gear-type pumps operating in environmentally sensitive areas.
- Off-shore rigs and equipment, low pressure hydraulics, high pressure hydraulics, hydraulic lifts and cranes.

Benefits

- Will not leave a sheen on the water.
- Meet U.S. EPA toxicity standards for environmentally sensitive areas and is non-toxic to aquatic life.
- Inherently biodegradable and easily recycled.
- Universal, low-pressure, high-pressure, high temperature hydraulic oil.

Contact CITGO Petroleum Corporation at 800-248-4684 for more details.



SVI International, Inc.

Power Post Lifting Systems

ph

800-321-8173 / 630-844-5566

fax

800-899-1784 / 630-844-6770

SVI International, Inc.

101 W. Illinois Ave.
Aurora, IL 60506
800-321-8173 toll free
630-844-5566 phone
800-899-1784 fax



SVI International, Inc. is the lift industry's leading supplier of parts used in both the repair and production of all types of automotive lifts. Our network of customers is vast. SVI currently serves over 2,000 companies throughout the U.S. and Canada that sell, service and install automotive lifts. Many lift manufacturers also rely on SVI for their supply of certain parts used in the production of lifts. SVI provides on time delivery and same day shipping from any of our three "Ready Ship" warehouses.

SVI's product line includes over 20,000 different repair parts for most makes and models of lifts, whether you own an in-ground or surface-mount. If you own a lift that was manufactured 60 years ago chances are the parts are in stock or still readily available. The word "obsolete" is barely a word that fits into our vocabulary. When we make a part available for any lift whose manufacturer is no longer in business that part is available again forever. If someone should tell you parts are no longer available for a lift, ask them if they called SVI.

Product innovation is also a very important part of SVI's role in the lift industry. Our engineers and management team are always working on safer solutions for older lifts existing in the field. One example is our adjustable main arm restraint gear for use on Rotary two-post surface lifts. This product allows full adjustability so proper mating between arm restraint gears can be maintained at all times. Another example is our bolt-on compliance single-point-release multiple-position safety leg for single post lifts. This patent pending product allows owners of single post lifts to bring them into compliance with the A.N.S.I. standard in just a few minutes time. Our engineers work on all facets of the lift industry's needs. If you have any suggestions please let us know. In fact, SVI was the first to develop the patent pending "Aqua-out" system for use on new cassette style in-ground lifts. The "Aqua-out" system addresses the moisture problems that can be associated with these lifts and automatically removes the water each time the lift is lowered.

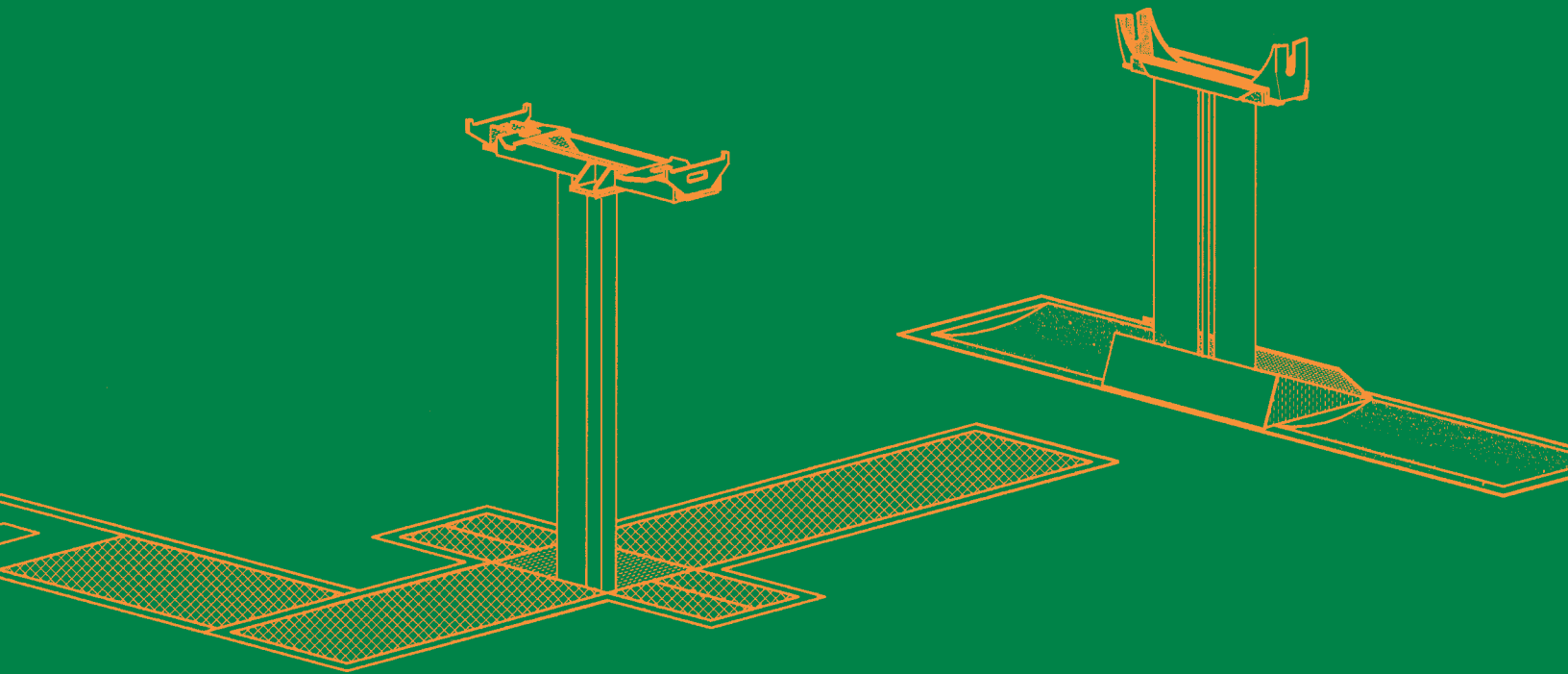
When it comes to real solutions for the lift industry, SVI is your answer. SVI staff is not just knowledgeable on one make of lift. SVI support representatives are the most knowledgeable group of people in the lift industry. No matter what make or model lift you may have chances are an SVI representative can help.

SVI also serves other areas of the automotive lift and equipment industry with products such:

- Power Post Heavy-Duty In-Ground Lifting Systems - longest lasting, most reliable and safest lifts available.
- Lubrication equipment.
- Steel hydraulic line tubing for fluid delivery systems.
- Brake lathe cutting bits and repair parts.
- Tire changer repair parts.
- Gaskets and parts for gas pump and meter rebuilding.

Call or email us today to learn more about our capabilities or to locate a qualified SVI distributor near you.

Supplying the safest means for heavy-duty bus and truck lifting needs.



**SVI Power Post Model
3P-106DR-FR**

This lift is very popular among municipalities that own and operate snowplow/salt trucks. With a 36,000 lb. capacity dual rear lifting unit, this lift is ready for a fully loaded salt truck on moments notice.

Equipped with the recessed front frame setup, you can enjoy a completely flush, unobstructed floor area when this lift is not in use.

Power Post Lifts provide perfect harmony in any shop.



www.sviinternational.com