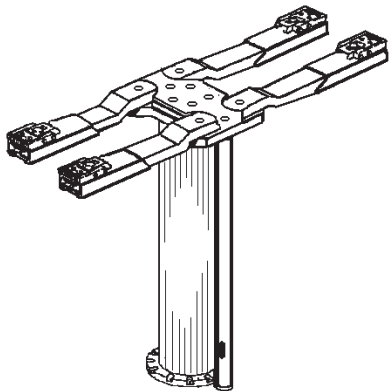


**Compliance at Your Fingertips.**

# MPTR

## multi-position top release safety leg / non-rotator

*An SVI Exclusive!*



- Easy to Install
- No Air Required
- Bolt-On Compliance
- Fits Single-Post Models
- 8,000 lb. Capacity
- Multiple Lock Positions
- Single-Point Release
- Can Easily Re-Engage Locks If You Want to Lower a Few Feet and Keep Working
- Cost-Saving Upgrade
- Increases Safety
- Patented — **Only from SVI!**  
USPO # 7,219,768



**SVI International, Inc.**

155 Harvestore Dr.  
DeKalb, Illinois 60115

**800-321-8173**

Fax: 800-899-1784



Patented multi-position safety leg / non-rotator satisfies the needs of O.S.H.A. inspectors and industry requirements.

## Bolt-on compliance

Concerned lift owners and operators have always wanted more locking positions. OSHA inspectors keep pushing for more safety-related compliance. SVI provides a fantastic product that satisfies everyone. For innovative safety solutions, SVI is your answer.

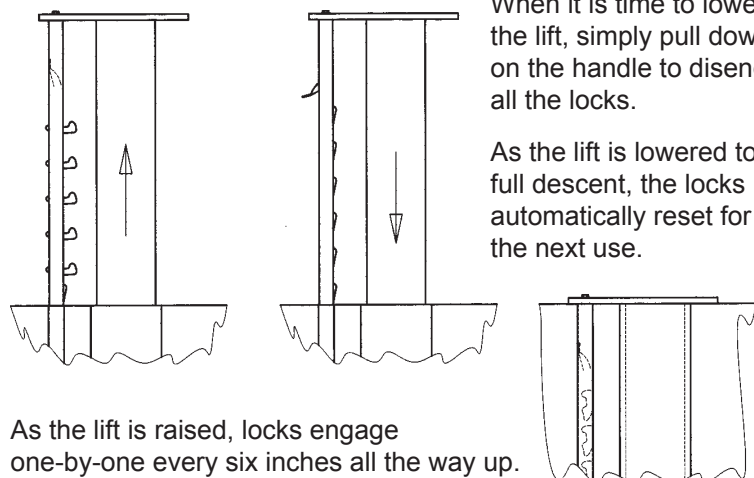
The new "MPTR" series of safety legs from SVI can be installed in minutes on virtually all single-post lifts that currently use a round style safety leg / non-rotator.

MPTR's offer multiple locking positions in 6" increments throughout the lift's stroke, convenience of single point top release and automatic reset for reuse each time the lift is fully lowered.

In the past, when lift owners have been required or just simply wanted to upgrade their lifts with multiple position locking mechanisms, the solution was expensive. MPTR's take the cost and the time out of multi-lock upgrades and will quickly satisfy an OSHA inspector's requirements.

**SVI is your answer.**

### How it works



**BALTIMORE • CHICAGO • LOS ANGELES**