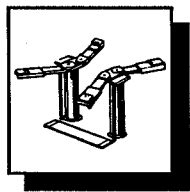




# Lift Repair Parts



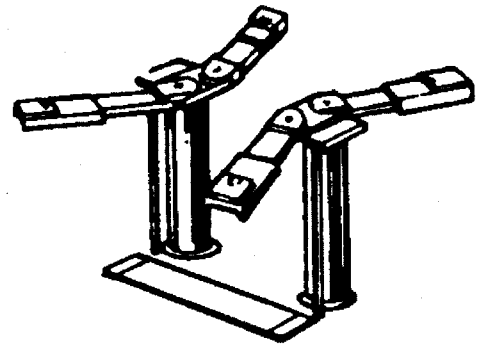
LRC9000C

S V I International, Inc. - Lift Repair Parts

May 2001

## In-Ground Lift Equalizer Assemblies and Parts

For all Two Post Side by Side In-Ground Lifts



### Rack Bar Identification by Dimensions

Width	Depth	Features	S V I Rack Bar Part No. Plus the Lift Manufacturer
1-3/4"	x	1-3/4"	BH-9012 for Benwil Lifts
1-1/2"	x	1-1/2"	BH-9110 for Cochin Lifts
1-1/2"	x	1-1/2"	BH-9111 for Cochin Lifts
1-1/2"	x	1-1/2"	BH-9210 for Curtis Lifts
3"	x	1-1/2"	BH-9310 for Gilbarco/Manitowoc Lifts
1"	x	2"	BH-9409 for Globe Auto lock
1"	x	2"	BH-9410 for Globe Manual Lock
2-1/2" Diameter		Round	BH-9610 for Joyce/Weaver
1-3/4"	x	1-1/4"	BH-9611 for Weaver
1-7/8"	x	1-7/8"	BH-9612 for Weaver/Rotary

### Pinion Gear Identification by Dimensions

Gear Dimensions		No. of Teeth	S V I Pinion Gear Part No. Plus the Lift Manufacturer	
Width	Outside Dia.			
1-3/4"	x	4-1/4"	20	BH-9011 for Benwil Lifts
1-1/2"	x	2-5/8"	12	BH-9112 for Cochin Lifts
1-1/2"	x	2-5/8"	20	BH-9211 for Curtis Includes collar/lock screw
1-1/2"	x	3-3/4"	21	BH-9311 for Gilbarco/Manitowoc Lifts
1"	x	4"	18	BH-9411 for Globe Lifts
1-1/2"	x	4-1/4"	20	BH-9613 for Joyce/Weaver/Rotary Lifts

Entire Contents Copyright © S V I International, Inc. 2001

**To Order Call: (800) 321-8173 or Fax: (800) 899-1784**

All names, numbers, symbols and descriptions are used for reference purposes only. It is not implied that any part listed is the product of these manufacturers; however, some parts may be the actual product of these manufacturers.

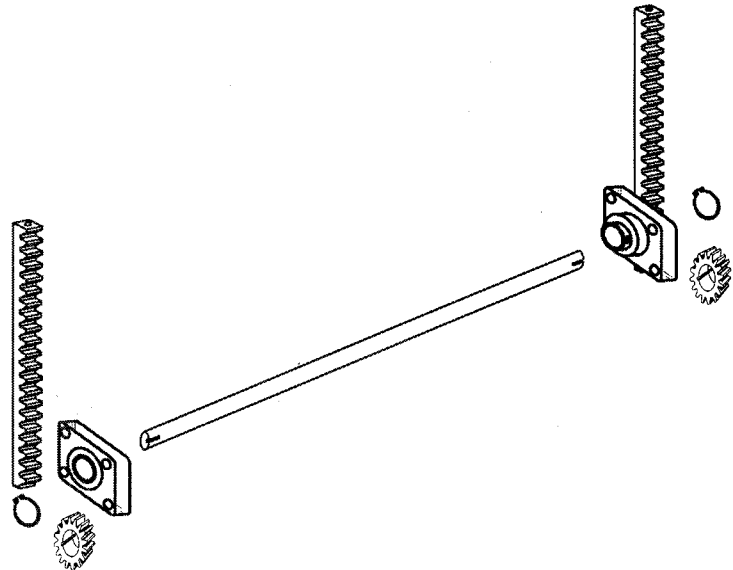
# Twin Post Equalizer System Parts

## FOR BENWIL LIFTS

SVI Part No. Ref. O.E.M. Part No. Description and Contents

BH-9011	10133912	Pinion Gear
BH-9012	10133472	Rack Bar For Standard or Metric Shaft
BH-9013-77		77" Plunger Center Equalizer Ass'y. <b>Includes:</b> (1) 10146050 Equalizer Shaft (2) 80840501 Bearing Housings (2) 1-1/2" Snap Rings (2) Keys (2) Pinion Gears <i>Rack Bars Sold Separately</i>

Note: BH-9013-77 has standard (non-metric) shaft and gears.

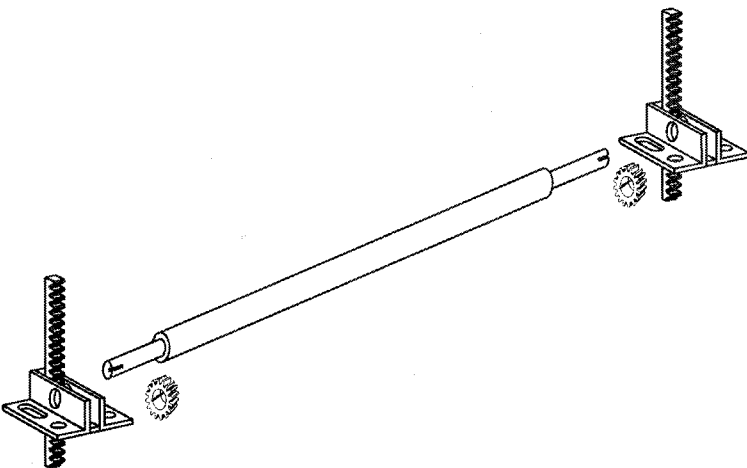


## FOR COCHIN LIFTS

SVI Part No. Ref. O.E.M. Part No. Description and Contents

BH-9112	10025N	Pinion Gear
BH-9110	A-21458	Rack Bar - 72" long
BH-9111	A-21458-84	Rack Bar - 84" long
BH-9113-40 BH-9113-57 BH-9113-85	50000-40 50000-57 50000-85	40" Plunger Center Equalizer Ass'y. 57" Plunger Center Equalizer Ass'y. 85" Plunger Center Equalizer Ass'y. <b>Includes:</b> (1) 40", 57", or 85" Equalizer Shaft (2) A-21459 Equalizer Brackets (4) Lock Collars with Set Screws (2) Keys (2) Pinion Gears
BH-9120-40 BH-9120-57 BH-9120-85	50000-40L 50000-57L 50000-85L	40" P.C. <b>Locking</b> Equalizer Ass'y. 40" P.C. <b>Locking</b> Equalizer Ass'y. 40" P.C. <b>Locking</b> Equalizer Ass'y. <b>Includes:</b> (1) 40", 57", or 85" Equalizer Shaft (1) A-21459 Equalizer Bracket (1) Locking Equalizer Bracket (1) BH-9120-02 Lock Assembly (1) BH-9120-01 Lock Handle (4) Lock Collars with Set Screws (2) Keys (2) Pinion Gears <i>Rack Bars Sold Separately</i>

For Complete Assembly with Rack Bars add "C" to P/N

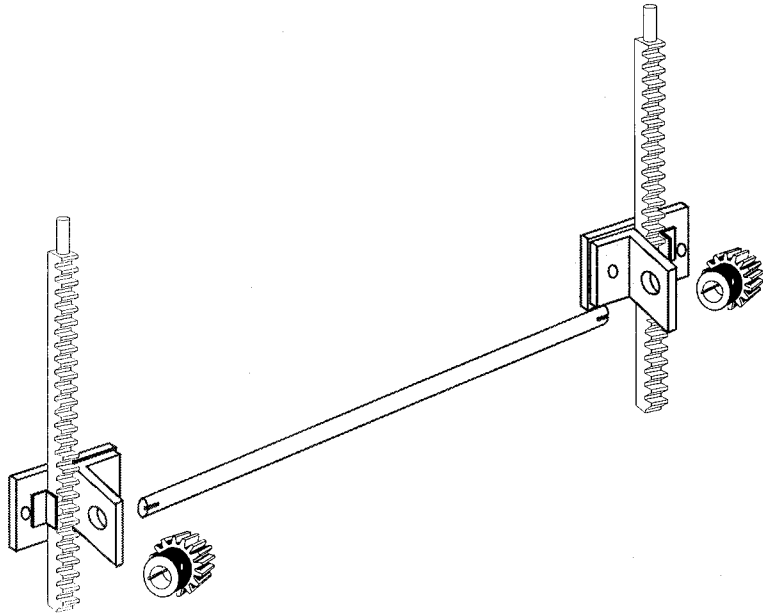


To Order Call: (800) 321-8173 or Fax: (800)899-1784

# Twin Post Equalizer System Parts

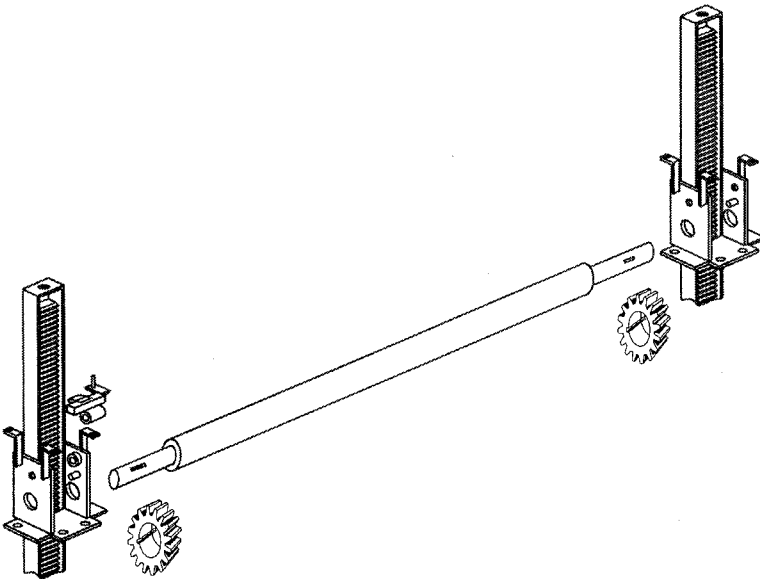
## FOR CURTIS LIFTS

SVI Part No.	Ref. O.E.M. Part No.	Description and Contents
BH-9211	A-15116	Pinion Gear
BH-9210	B-15096	Rack Bar with Machined End
BH-9212		Equalizer Assembly <b>Includes:</b> (1) BH-9212-01 Equalizer Shaft (2) BH-9212-02 Equalizer Brackets (2) Keys <i>Rack Bars and Gears Sold Separate</i>
For Complete Assembly with Rack Bars and Gears add "C" to P/N		



## FOR GILBARCO/MANITOWOC LIFTS

SVI Part No.	Ref. O.E.M. Part No.	Description and Contents
BH-9311	K87046	Pinion Gear
BH-9310	N19253	Rack Bar In Channel
BH-9312-40 BH-9312-57 BH-9312-89		40" Plunger Center Equalizer Ass'y. 57-1/2" Plunger Center Equalizer Ass'y. 89" Plunger Center Equalizer Ass'y. <b>Includes:</b> (1) 40", 57", or 89" Equalizer Shaft (1) BH-9314 Left Side Bracket (1) BH-9315 Right Side Bracket (2) Keys (2) Retaining Rings <i>Rack Bars and Gears Sold Separate</i>
BH-9312-40L BH-9312-57L BH-9312-89L		40" P.C. Locking Equalizer Ass'y. 57-1/2" P.C. Locking Equalizer Ass'y. 89" P.C. Locking Equalizer Ass'y. <b>Includes:</b> (1) BH-9313-23 Lock Latch (1) BH-9313-25 Lock Spring (1) BH-9313-24 Latch Shaft (1) BH-9313-26 Set Screw (1) BH-9313-21 Latch Handle (1) 40", 57", or 89" Equalizer Shaft (1) BH-9314 Left Side Bracket (1) BH-9315 Right Side Bracket (2) Keys (2) Retaining Rings and hardware <i>Rack Bars and Gears Sold Separate</i>



For Complete Assembly with Rack Bars and Gears add "C" to P/N

P.C. = Plunger Centers

**To Order Call: (800) 321-8173 or Fax: (800)899-1784**

All names, numbers, symbols and descriptions are used for reference purposes only. It is not implied that any part listed is the product of these manufacturers; however, some parts may be the actual product of these manufacturers.

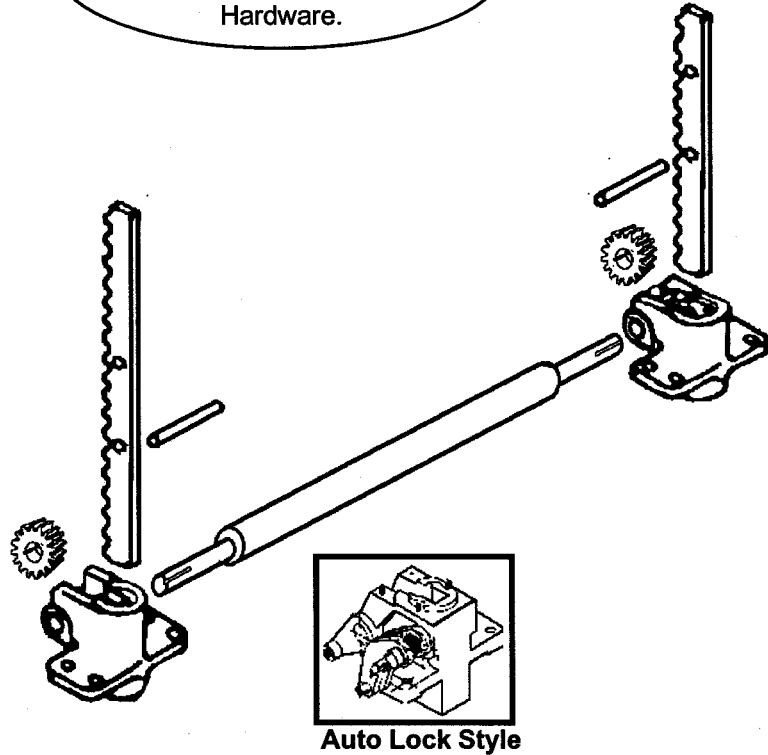
# Twin Post Equalizer System Parts

## FOR GLOBE LIFTS

S V I Part No. Ref. O.E.M. Part No. Description and Contents

BH-9411	B-39999	Pinion Gear
BH-9409	B-42580	Rack Bar for Auto Lock System
BH-9410	B-39818	Rack Bar for Manual Lock System
BH-9412-26 BH-9412-29 BH-9412-36 BH-9412-39 BH-9412-42* BH-9412-46 BH-9412-57 BH-9412-83 BH-9412-88		26-1/2" Plunger Center Equalizer Ass'y. 29-1/2" Plunger Center Equalizer Ass'y. 36" Plunger Center Equalizer Ass'y. 39" Plunger Center Equalizer Ass'y. 42" Plunger Center Equalizer Ass'y. 46" Plunger Center Equalizer Ass'y. 57-1/2" Plunger Center Equalizer Ass'y. 83-1/2" Plunger Center Equalizer Ass'y. 88" Plunger Center Equalizer Ass'y. <b>Includes:</b> (1) Shaft (2) BH-9412-01 Equalizer Brackets (2) BH-9412-12 Lock Pins and Keys <b>Rack Bars and Gears Sold Separate</b>
BH-9412-26L BH-9412-29L BH-9412-36L BH-9412-39L BH-9412-42L* BH-9412-46L BH-9412-57L BH-9412-83L BH-9412-88L		26-1/2" P.C. Locking Equalizer Ass'y. 29-1/2" P.C. Locking Equalizer Ass'y. 36" P.C. Locking Equalizer Ass'y. 39" P.C. Locking Equalizer Ass'y. 42" P.C. Locking Equalizer Ass'y. 46" P.C. Locking Equalizer Ass'y. 57-1/2" P.C. Locking Equalizer Ass'y. 83-1/2" P.C. Locking Equalizer Ass'y. 88" P.C. Locking Equalizer Ass'y. <b>Includes:</b> (1) Shaft (1) BH-9413-01L Left Lock Bracket (1) BH-9413-01R Right Lock Bracket (2) BH-9411-01 Keys <b>Rack Bars and Gears Sold Separate</b>

Effective March 1998  
Globe Equalizer Assemblies  
Include all installation  
Hardware.

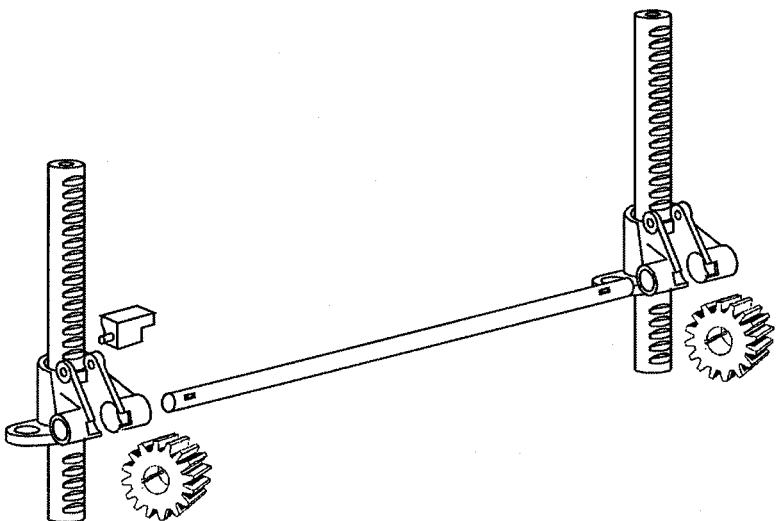


## FOR JOYCE LIFTS

S V I Part No. Ref. O.E.M. Part No. Description and Contents

BH-9613	18220	Pinion Gear
BH-9610	23431	Solid Round Rack Bar
BH-9515-10	23441	Safety Latch Trip
BH-9515-11	23442	Roll Pin
BH-9515-12	24755	Safety Latch Counter Weight
BH-9515-13	24756	Safety Latch Shoulder Bolt
BH-9515-40 BH-9515-48 BH-9515-57		40" Plunger Center Equalizer Ass'y. 48" Plunger Center Equalizer Ass'y. 57-1/2" Plunger Center Equalizer Ass'y. <b>Includes:</b> (1) 40", 48" or 57" Equalizer Shaft (2) BH-9515-05 Equalizer Brackets (2) BH-9515-06 Bushings (2) Keys <b>Rack Bars and Gears Sold Separate</b>

For Complete Assembly with Rack Bars and Gears add "C" to P/N



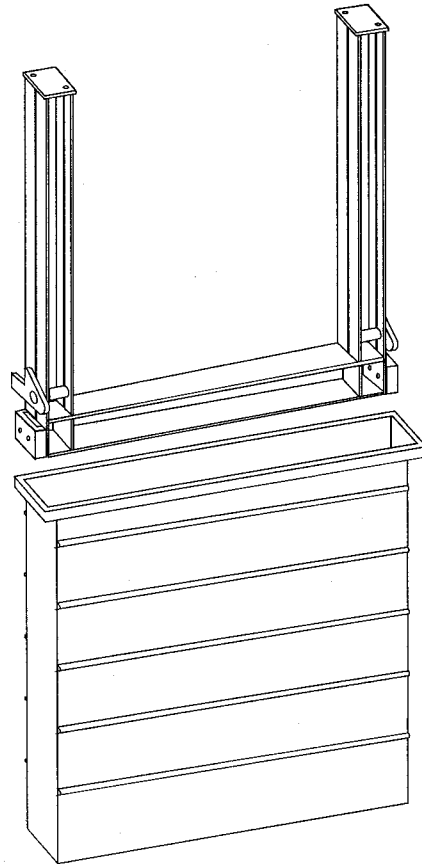
To Order Call: 800 321-8173 or 630-365-9250 / Fax: 800-899-1784 or 630-365-2809

All names, numbers, symbols and descriptions are used for reference purposes only. It is not implied that any part listed is the product of these manufacturers; however, some parts may be the actual product of these manufacturers.

# Twin Post Equalizer System Parts

## FOR ROTARY LIFTS

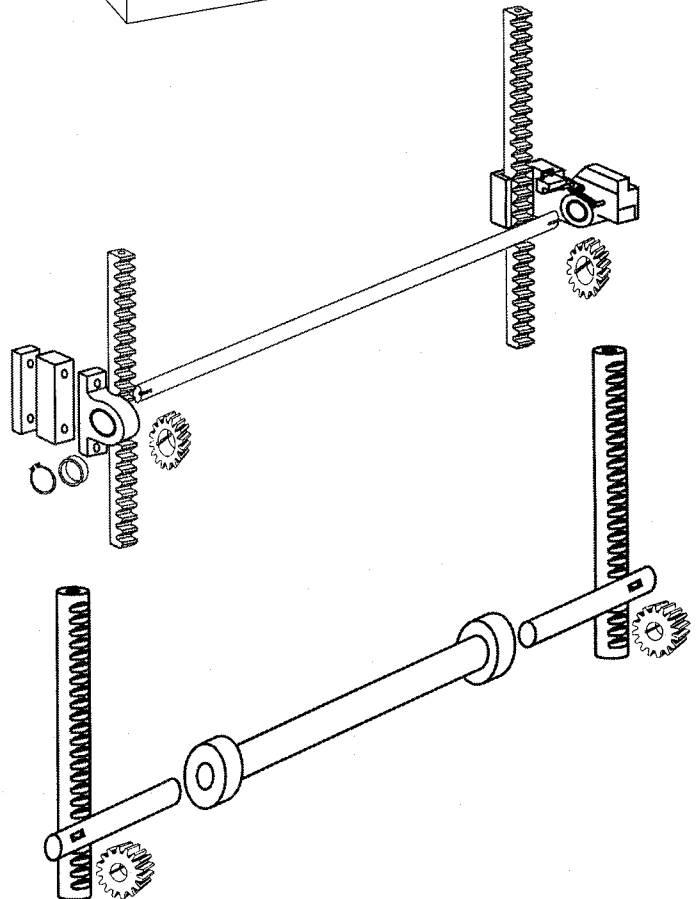
SVI Part No.	Ref. O.E.M. Part No.	Description and Contents
BH-9760-01	FA279	Safety Latch Repair Kit (2 latches & pins)
BH-9760-02	FJ321-5	Slider Block
BH-9760-03	FJ37-40	Roller Assembly Kit
BH-9760-05	FJ37	Equalizer Frame
BH-9760-05R	FJ37R	Equalizer Frame with Rollers
BH-9760-06	FJ38	57-1/2" P.C. Equalizer Box for Sliders
BH-9760-06R	FJ311	57-1/2" P.C. Equalizer Box for Rollers
BH-9760-07	FJ38-11	Center Cover Plate (not pictured)



## FOR WEAVER LIFTS

SVI Part No.	Ref. O.E.M. Part No.	Description and Contents
BH-9613	S-24522	Pinion Gear
BH-9610	S-18807	Round Rack Bar
BH-9611	S-23134	Rectangular Rack Bar
BH-9612	1080236	Square Rack Bar
BH-9614 BH-9615 BH-9616 BH-9617		57-1/2" Square Rack Equalizer Ass'y. 57-1/2" Rect. Rack Equalizer Ass'y. 40" Rectangular Rack Equalizer Ass'y. 89" Square Rack Equalizer Ass'y. <b>Includes:</b> (1) 57-1/2", 40" or 89" Shaft, spacers, pillow blocks, square specers, keys, cap screws, retaining rings <b>Racks, Gears &amp; Lock Sold Separate</b>
BH-9614-10	KL-345	Equalizer Lock (Square Rack System)
BH-9614-10R	KL-345R	Equalizer Lock (Rect. Rack System)
BH-9618		40" Round Rack Equalizer Ass'y. <b>Includes:</b> Coupler Shaft, Gear Shafts, Clevis Pins, Cotter Pins, Woodruff Keys <b>Racks, Gears &amp; Lock Sold Separate</b>

For a Locking Equalizer Ass'y including Lock add "L" to P/N.  
For a Complete Assembly including Rack Bars and Gears add "C" to P/N. For a Complete Locking Ass'y including Rack Bars, Gears, and Lock add "LC" to P/N.



**To Order Call: (800) 321-8173 or Fax: (800)899-1784**

# Twin Post Equalizer System Parts For Rotary Lifts

SVI worked carefully with a distributor to design a system to extend the service life of DTO28 lifts produced by Rotary. Problems start when floor cleaners and moisture cause the equalizer box to corrode. This results in backfill pouring through the rusted openings and interfering with the equalizer operation, thus hanging the lift up.

In the past, there were only three ways to deal with the problem. You either excavate and replace the corroded box at great cost, scoop out the backfill every so often or condemn the lift. This is over with SVI's new **Drop-In Rack and Pinion Equalizer Assembly for DTO lifts**.

**Order BH-9760-09 Kit for 4" Wide Box**

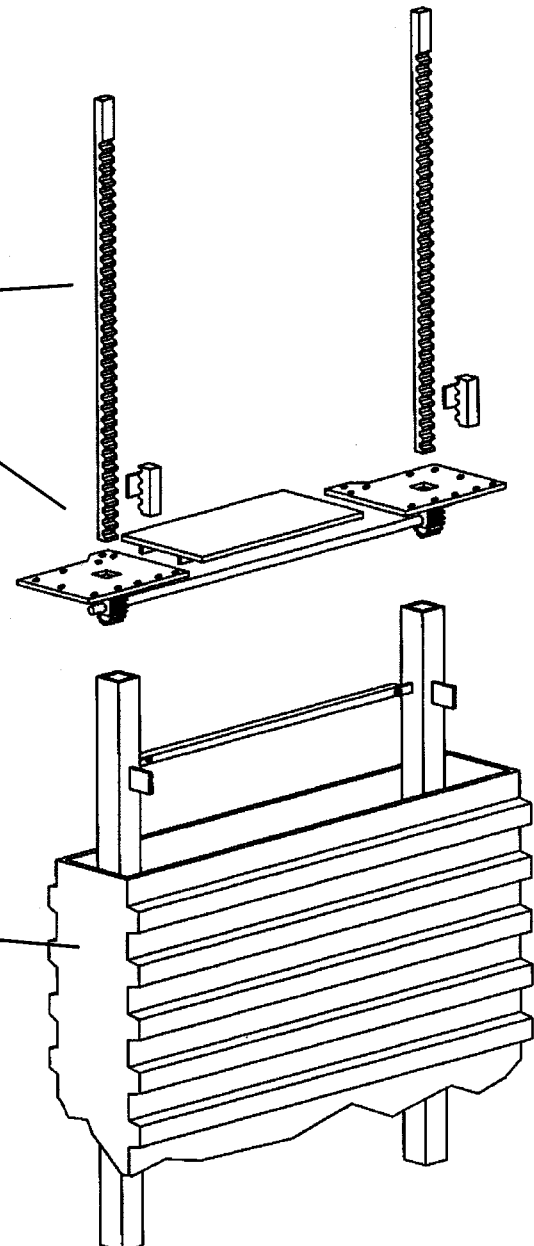
**BH-9760-10 Kit for 4-3/4" Wide Box**

## Installation is a breeze:

- 1) Remove the old equalizer frame.
- 2) Clean out the bottom of the box at the ends so rack guides fit to the bottom.
- 3) Assemble the new rack bar guide tubes to cross supports, drop in the opening and square up.
- 4) Assemble the pinion housing and shaft assembly, set in box and line up with the guide tubes.
- 5) Drill (20) 3/8" holes in the concrete using the pinion housing as a template and bolt housing down using the anchors supplied. **Note:** make sure rack bars mate properly with pinions and fit easily through the housing before drilling and bolting.
- 6) Install rack bars making sure each starts with the same tooth and bolt to bolster. You may need to elongate the bolt hole in the bolster with a torch so the rack movement is perpendicular to the plunger.
- 7) Show your customer how good the lift works again and accept thanks for solving the problem.

New system includes: rack bars, pinion gears, shaft, brackets, center cover, guide tubes, manual placement locks and fasteners.

Existing Equalizer Box

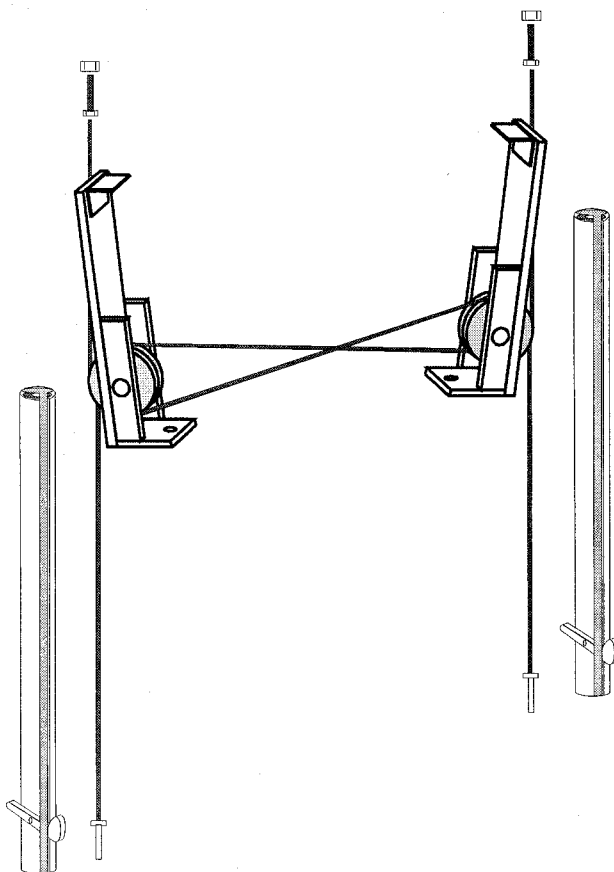


# Twin Post Equalizer System Parts

## FOR WESTERN LIFTS

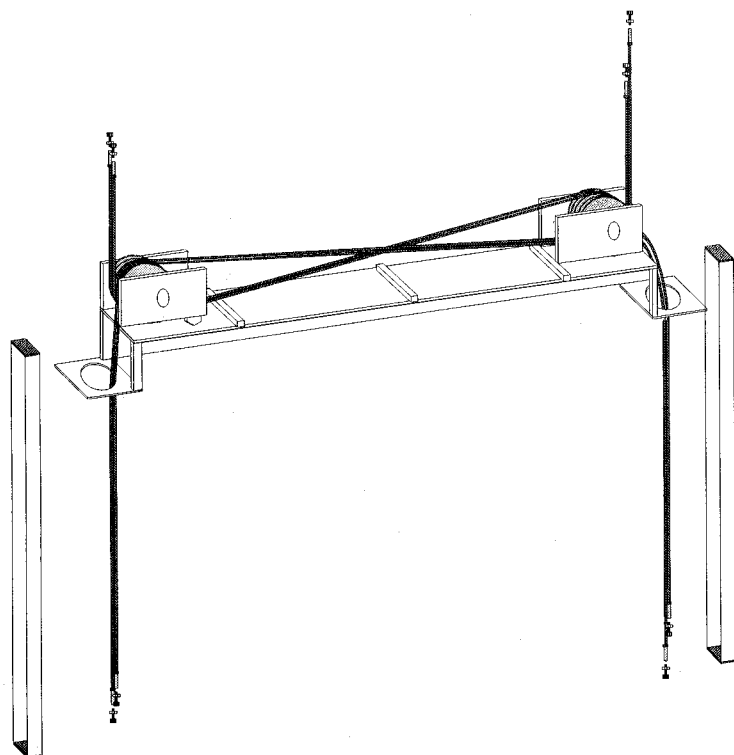
FOR TWO CABLE SYSTEMS SINCE JUNE 1985

SVI Part No.	Ref. O.E.M. Part No.	Description and Contents
BH-9702-01	F-602	134" Equalizer Cable for WP-2
BH-9704-01	F-607	109" Equalizer Cable for P-2
BH-9702-02	F-617	Pulley and Axle Assembly
BH-9702-03	F-645	Pulley Bracket
BH-9701-08	U-606	Equalizer Strut with lock (round)
BH-9702-07	F-510	Pulley Box Cover for WP-2
BH-9702-08	F-515	Pulley Box Cover for P-2
BH-9702-10		Pulley and Axle Repair Kit



**Note:** SVI In-Ground Equalizer Cables for Western Lifts are Constructed Using Stainless Steel Wire Rope and Carbon Steel End Fittings.

FOR FOUR CABLE SYSTEMS PRIOR TO JUNE 1985



SVI Part No.	Ref. O.E.M. Part No.	Description and Contents
BH-9701-01	F-600	153-1/2" Equalizer Cable for WP-2
BH-9703-01	F-605	129-1/2" Equalizer Cable for P-2
BH-9701-02	F-615	Pulley and Axle Ass'y (11/83 to 6/85)
BH-9701-03	F-610	Pulley and Axle Ass'y (Prior to 11/83)
BH-9701-04	F-635	Equalizer Strut with lock (rectangular)
BH-9701-15	F-500	Pulley Box Cover for WP-2, AR-2
BH-9701-16	F-520	Pulley Box Cover for P-2
BH-9701-10		Pulley and Axle Repair Kit

**To Order Call: (800) 321-8173 or Fax: (800)899-1784**

# To The 4<sup>th</sup> Power

Atlanta  
Baltimore  
Chicago  
Los Angeles



4X the shipping capabilities  
4X the convenience  
4X the experience  
4X the inventory