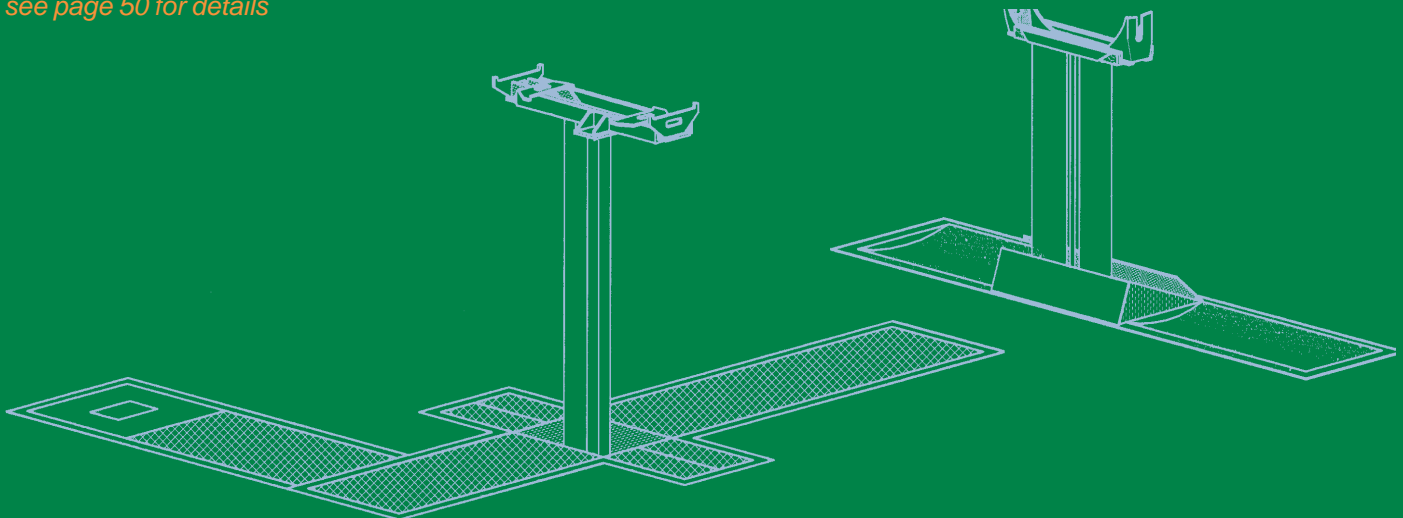


3P-106-DR-RF*

- Lift capacity: @ 250 psi 54,000 lbs., 18,000 front & 36,000 rear
- Lift capacity: @ 350 psi 75,000 lbs., 25,000 front & 50,000 rear
- Single moveable front and dual stationary rear
- Axle engaging
- Adjustable front cylinder for various wheelbase lengths
- Electric/hydraulic oil or Citgo "Aquamarine" oil operated
- Post diameters: 10-5/8" front & (2) 10-5/8" rear
- Displacement: 75 gallons
- Raised vehicle contact height above floor: 67" front & 69-3/4" rear based on standard adapters
- Multiple lip seal seal design for increased performance

* Requires a power unit
see page 50 for details



Applications:

Utility Companies
Transit Authorities
Municipal Garages

or wherever heavy-duty vehicle lifting is required

Power Post Lifting Systems

fastest, most
reliable and
economical method
for lifting



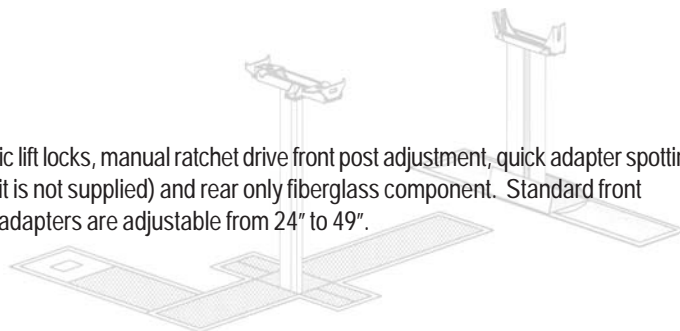
standards & options next page

Proven Lifting Technology

Specifications and Options

3P-106-DR-RF Standard Equipment:

12 foot front frame (recessed), manual waist height release automatic lift locks, manual ratchet drive front post adjustment, quick adapter spotting devices, floor level dead-man style control valves, (note: power unit is not supplied) and rear only fiberglass component. Standard front adapters adjust from 40-1/2" to 57-1/2" in width and standard rear adapters are adjustable from 24" to 49".



Your Easy Upgrade Options:

Front Frame Upgrades:

Additional front frame length for accommodating longer vehicle wheelbase lengths.

SVI Upgrade Number	Description	SVI Upgrade Number	Description
SV-9667-013-LR	13' Front Frame	SV-9667-017-LR	17' Front Frame
SV-9667-014-LR	14' Front Frame	SV-9667-018-LR	18' Front Frame
SV-9667-015-LR	15' Front Frame		
SV-9667-016-LR	16' Front Frame	Longer front frame lengths available per request	

Air Lock Upgrade:

Converts standard manual release locks to an air operated remote release multi-position lock assembly. This means your lift will lock in positions throughout the stroke rather than just at full stroke as with manual style locks. **To upgrade order SV-56F/57-L**

Power Spot Upgrade:

Converts adjustment of front cylinder position from a manual ratchet system to an easy to operate hydraulic drive system. This means easy work for the lift operator when changing the lift to accommodate different wheelbase vehicles. **To upgrade order SV-32-L-RF**

Fiberglass Upgrade:

Fiberglass coat your front cylinder component for added protection. Rear cylinders are supplied standard with fiberglass protection.

SVI Upgrade Number	Description
SV-9667-32FFG-L	Add Fiberglass Coating to the Front Cylinder Assembly

