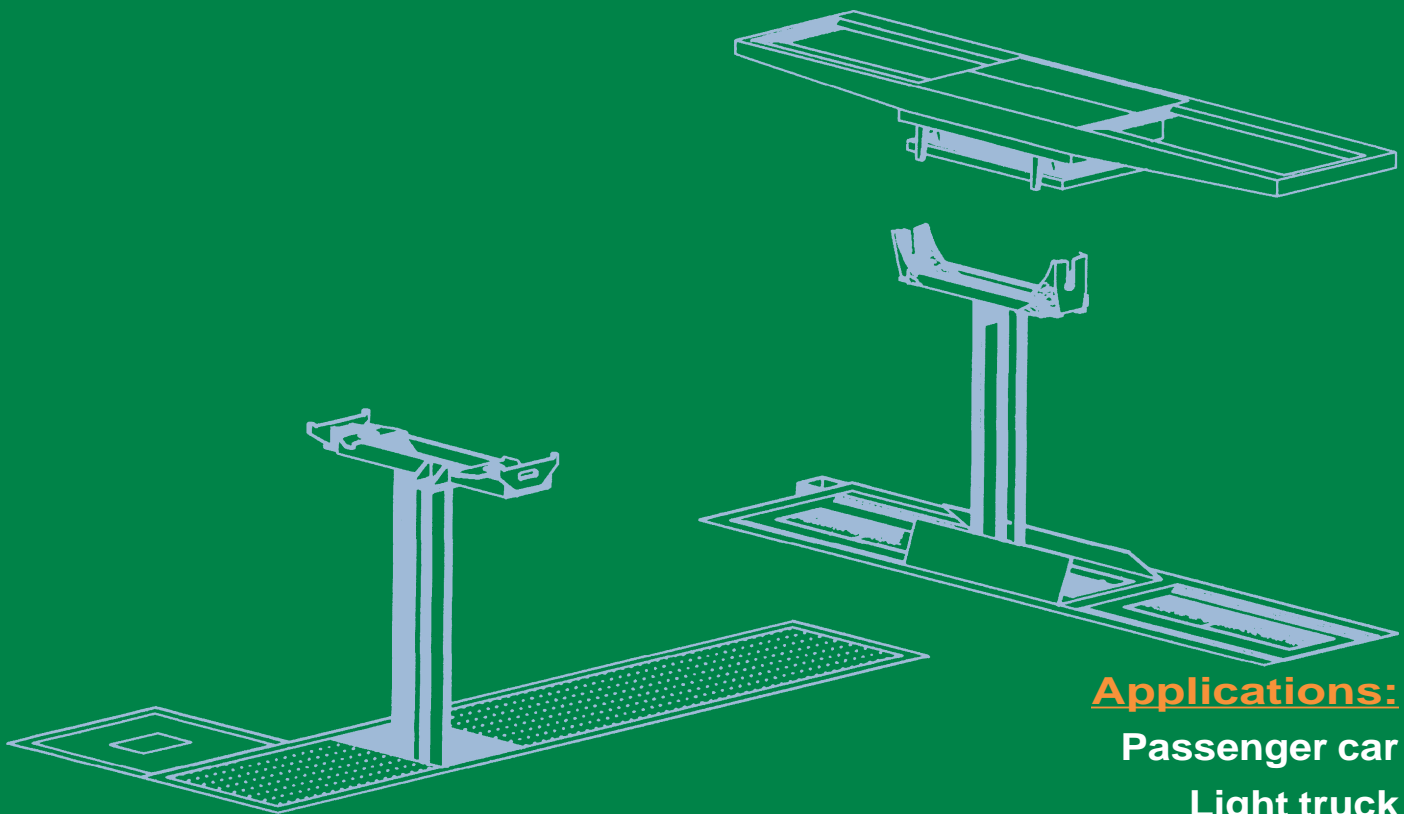


2P-202

- Lifting capacity: 11,000 lbs., 5,500 front & 5,500 rear
- Single moveable front and single stationary rear
- Axle engaging front & wheel or axle engaging rear
- Adjustable front cylinder for various wheelbase lengths
- Air/hydraulic oil or Citgo "Aquamarine" oil operated
- Post diameters: 7-1/2" front & rear
- Displacement: 28 gallons
- Raised vehicle contact height above floor: 69" front & 73-5/8" rear based on standard adapters
- Multiple lip seal seal design for increased performance



Applications:

Passenger car
Light truck

Power Post Lifting Systems

fastest, most
reliable and
economical method
for lifting



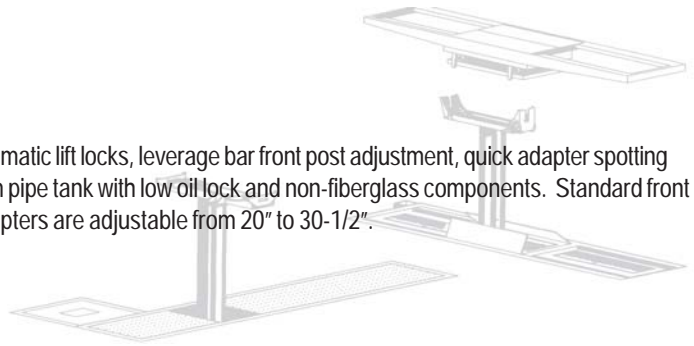
standards & options next page

Proven Lifting Technology

Specifications and Options

2P-202 Standard Equipment:

8 foot front frame (non-recessed), manual waist height release automatic lift locks, leverage bar front post adjustment, quick adapter spotting devices, floor level dead-man style control valves, standard bottom pipe tank with low oil lock and non-fiberglass components. Standard front adapters adjust from 34" to 50-3/4" in width and standard rear adapters are adjustable from 20" to 30-1/2".



Your Easy Upgrade Options:

Front Frame Upgrades:

Additional front frame length for accommodating longer vehicle wheelbase lengths.

SVI Upgrade Number	Description	SVI Upgrade Number	Description
SV-9670-009-L	9' Front Frame	SV-9670-013-L	13' Front Frame
SV-9670-010-L	10' Front Frame	SV-9670-014-L	14' Front Frame
SV-9670-011-L	11' Front Frame	SV-9670-015-L	15' Front Frame
SV-9670-012-L	12' Front Frame	SV-9670-016-L	16' Front Frame

Additional front frame length including a control box extension and manual ratchet drive.

SVI Upgrade Number	Description	SVI Upgrade Number	Description
SV-85-009H-L	9' Frame, Control Ext. & Ratchet	SV-85-013H-L	13' Frame, Control Ext. & Ratchet
SV-85-010H-L	10' Frame, Control Ext. & Ratchet	SV-85-014H-L	14' Frame, Control Ext. & Ratchet
SV-85-011H-L	11' Frame, Control Ext. & Ratchet	SV-85-015H-L	15' Frame, Control Ext. & Ratchet
SV-85-012H-L	12' Frame, Control Ext. & Ratchet	SV-85-015H-L	16' Frame, Control Ext. & Ratchet

Air Lock Upgrade:

Converts standard manual release locks to an air operated remote release multi-position lock assembly. This means your lift will lock in positions throughout the stroke rather than just at full stroke as with manual style locks. **To upgrade order SV-52-L**

Power Spot Upgrade:

Not available on this model.

Tank Upgrade:

Your choice of three upgrades. Add fiberglass coating or go to a top pipe style tank. Fiberglass coating protects your component from corrosion. Top pipe style tanks give installers easy access to fittings and helps periodic inspection.

SVI Upgrade Number	Description
SV-9801-1-L	Add Fiberglass Coating to the Standard Tank
SV-9801-2-L	Change the Standard Tank to a Top Pipe Tank
SV-9801-3-L	Add Fiberglass Coating and Change the Standard Tank to a Top Pipe Tank

Fiberglass Upgrade:

Fiberglass coat your cylinder components for added protection.

SVI Upgrade Number	Description
SV-9670-05FG-L	Add Fiberglass Coating to the Front Cylinder Assembly
SV-9670FG-L	Add Fiberglass Coating to the Rear Cylinder Assembly

