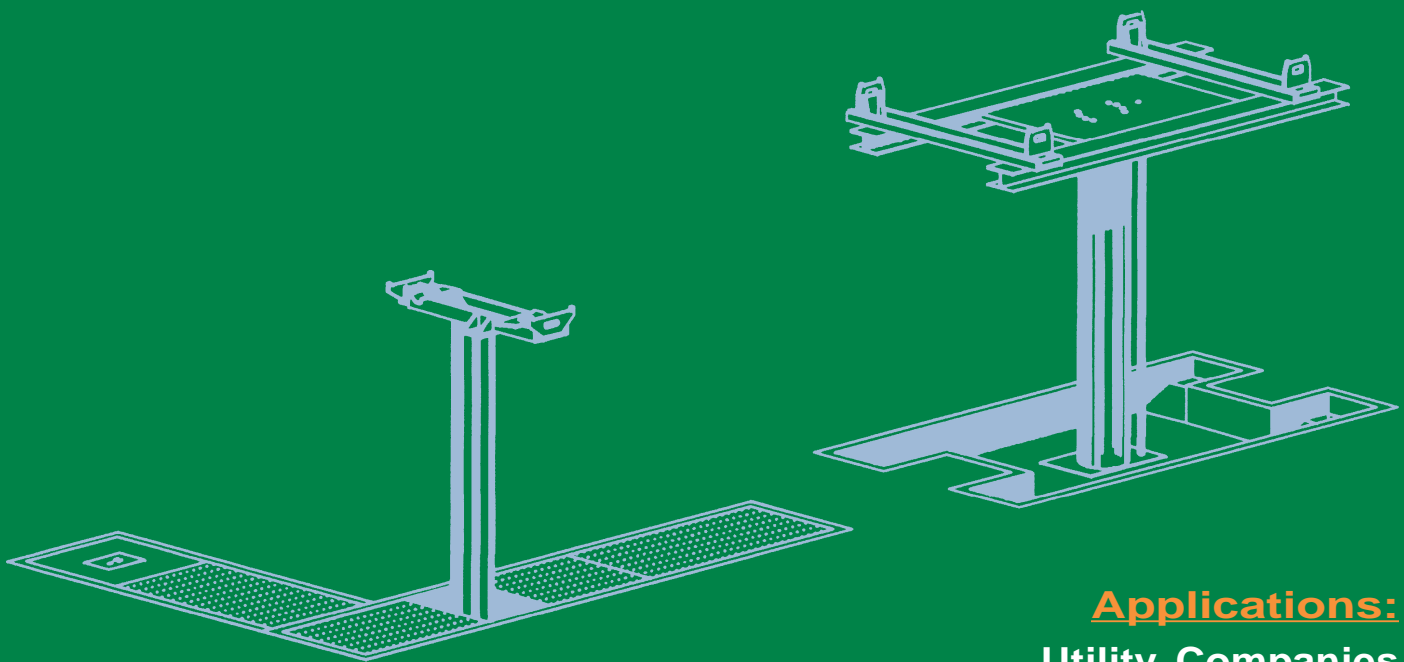


2P-105-IB

- Lifting capacity: 24,000 lbs., 12,000 front & 12,000 rear
- Axle engaging front saddle and adapters. I-Beam style rear superstructure equipped with adjustable saddles and adapters to engage vehicle axles, suspension or cross frame member.
- Adjustable front cylinder for various wheelbase lengths
- Air/hydraulic oil or biodegradable fluid operated
- Post diameters: 10-5/8" front & rear
- Displacement: 50 gallons
- Raised vehicle contact height above floor: 67" front & 69-3/4" rear based on standard adapters
- Multiple lip seal seal design for increased performance



Applications:

Utility Companies

Fleet Service Facilities

Municipal Garages

or wherever heavy-duty vehicle lifting is required

Power Post Lifting Systems

fastest, most
reliable and
economical method
for lifting



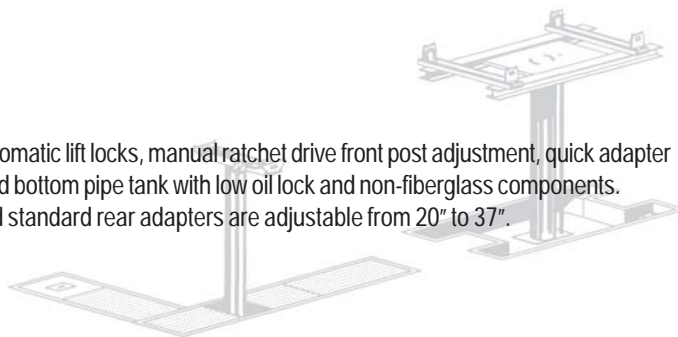
standards & options next page

Proven Lifting Technology

Specifications and Options

2P-105-IB Standard Equipment:

12 foot front frame (non-recessed), manual waist height release automatic lift locks, manual ratchet drive front post adjustment, quick adapter spotting devices, floor level dead-man style control valves, standard bottom pipe tank with low oil lock and non-fiberglass components. Standard front adapters adjust from 40-1/2" to 57-1/2" in width and standard rear adapters are adjustable from 20" to 37".



Your Easy Upgrade Options:

Front Frame Upgrades:

Additional front frame length for accommodating longer vehicle wheelbase lengths.

SVI Upgrade Number	Description	SVI Upgrade Number	Description
SV-9667-013-L	13' Front Frame	SV-9667-017-L	17' Front Frame
SV-9667-014-L	14' Front Frame	SV-9667-018-L	18' Front Frame
SV-9667-015-L	15' Front Frame		
SV-9667-016-L	16' Front Frame	Longer front frame lengths available per request	

Air Lock Upgrade:

Converts standard manual release locks to an air operated remote release multi-position lock assembly. This means your lift will lock in positions throughout the stroke rather than just at full stroke as with manual style locks. **To upgrade order SV-56-L**

Power Spot Upgrade:

Not available on this model.

Tank Upgrade:

Your choice of three upgrades. Add fiberglass coating or go to a top pipe style tank. Fiberglass coating protects your component from corrosion. Top pipe style tanks give installers easy access to fittings and helps periodic inspection.

SVI Upgrade Number	Description
SV-9804-1-L	Add Fiberglass Coating to the Standard Tank
SV-9804-2-L	Change the Standard Tank to a Top Pipe Tank
SV-9804-3-L	Add Fiberglass Coating and Change the Standard Tank to a Top Pipe Tank

Fiberglass Upgrade:

Fiberglass coat your cylinder components for added protection.

SVI Upgrade Number	Description
SV-9667-32FFG-L	Add Fiberglass Coating to the Front Cylinder Assembly
SV-9667-32DFG-L	Add Fiberglass Coating to the Rear Cylinder Assembly

